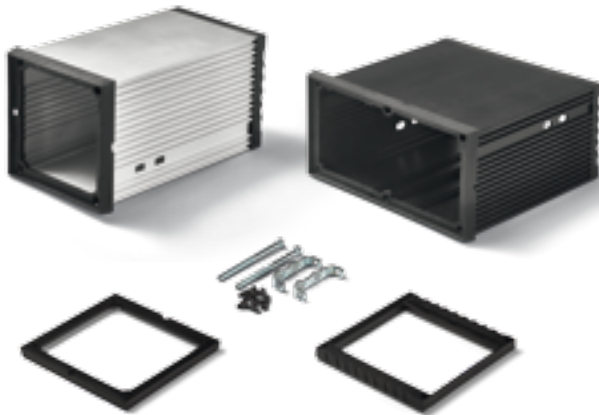


# Data Sheet for Aluminium Housing

Electronics DIN aluminium housing

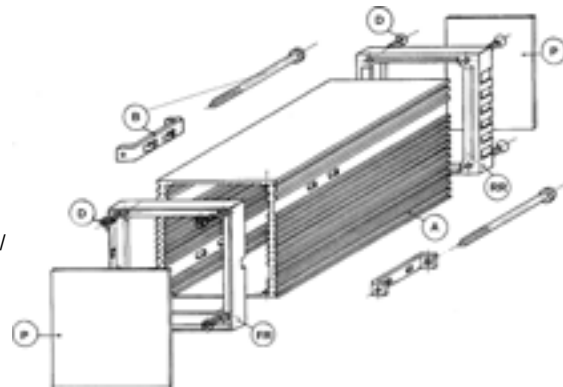
Series DIN K



The housings are available in 10 different DIN sizes and various lengths. Depending on the type, grooves with max. 2 mm are available for horizontal and vertical PCB mounting. The enclosures are supplied as a kit consisting of profile, front and rear frames including screws and mounting brackets. The finish of the enclosures is natural aluminium or black anodized (further options). The plastic frames are black. Front and rear panels are available in a range of materials and colours.

**The aluminium enclosure kit includes:**

Aluminium profile (A), mounting brackets (B), front and rear frames (FR/RR), frame fixing screws (D).



**Data Profile**

Material	ALMgSi 0,5 F22 Mg 0,55
Colour	Aluminium natural anodised or black anodized (further optional)
PCB thickness	max. 2 mm

Profile kind	External dimensions W x H	Internal dimensions W x H	External dim. front frame W x H	External dim. back frame W x H	PCB groove x 2	Profile length
036072	68 x 33 mm	62 x 30 mm	72 x 36 mm	68 x 33 mm	2	80/105 mm
048048	45 x 45 mm	42 x 39 mm	48 x 48 mm	45 x 45 mm	3	119 mm
048096	92 x 44 mm	85 x 40,5 mm	96 x 48 mm	92 x 44 mm	3	124/179 mm
072072	67 x 67 mm	64 x 59,6 mm	72 x 72 mm	67 x 67 mm	9	114/139 mm
096096	90 x 90 mm	86 x 82 mm	96 x 96 mm	90 x 90 mm	14	94/124 mm
072144	138 x 66 mm	130 x 62 mm	144 x 72 mm	138 x 66 mm	≥8	114/139 mm
096192	186 x 90 mm	178 x 86 mm	192 x 96 mm	186 x 90 mm	≥13	124/179 mm
144144	138 x 138 mm	134 x 130 mm	144 x 144 mm	138 x 138 mm	≥20	114/139 mm
144192	182 x 136 mm	175 x 134 mm	192 x 144 mm	182 x 136 mm	>20	124/179 mm
144288	282 x 138 mm	275 x 134 mm	288 x 144 mm	282 x 138 mm	>20	124/179 mm

**Data Frame**

Material	Plastic
Colour	Black
Feed for screws	8 countersunk screws 2,7 x 12 for all, despite for housing kind 144144, 144192 and 144288 there are 8 screws M4 x 23 included in delivery

**Data Mounting Brackets**

Material	Metal
Colour	Silver
Included in delivery	1 pair, despite for housing kind 144144, 144192 and 144288 there are 2 pair

# Data Sheet for Aluminium Housing

Electronics DIN aluminium housing

Series DIN K

Order Code							
<b>Description</b>	Selection: <b>standard=black/bold</b> , possible <i>options=grey/italic</i>						
<b>Series:</b>	<b>DIN K</b>						
<b>Profile external dimension W x H:</b>							
<b>68 x 33 mm</b>	<b>036072</b>	<b>80/105</b>					
<b>45 x 45 mm</b>	<b>048048</b>	<b>119</b>					
<b>92 x 44 mm</b>	<b>048096</b>	<b>124/179</b>					
<b>67 x 67 mm</b>	<b>072072</b>	<b>114/139</b>					
<b>90 x 90 mm</b>	<b>096096</b>	<b>94/124</b>					
<b>138 x 66 mm</b>	<b>072144</b>	<b>114/139</b>					
<b>186 x 90 mm</b>	<b>096192</b>	<b>124/179</b>					
<b>138 x 138 mm</b>	<b>144144</b>	<b>114/139</b>					
<b>182 x 136 mm</b>	<b>144192</b>	<b>124/179</b>					
<b>282 x 138 mm</b>	<b>144288</b>	<b>124/179</b>					
<b>Profile length in mm:</b>			<b>see</b>				
<b>Lengths: 80/94/105/114/119/124/139/179</b>			<b>above</b>				
<i>Option custom length in mm</i>			<i>XXXX</i>				
<b>Profile colour:</b>							
<b>Aluminium black anodized</b>				<b>N</b>			
<b>Aluminium nature anodized</b>				<b>A</b>			
<i>Optional surface raw material</i>				<b>G</b>			
<i>Optional surface red anodized</i>				<b>RE</b>			
<i>Optional surface green anodized</i>				<b>VE</b>			
<i>Optional surface blue anodized</i>				<b>BE</b>			
<i>Optional surface gold anodized</i>				<b>OE</b>			
<i>Optional surface bronze anodized</i>				<b>ZE</b>			
<i>Optional surface grey anodized</i>				<b>GE</b>			
<b>Frames:</b>							
<b>Incl. plastic front and back frame</b>					-		
<i>Option end plate for front frame:</i>							
<i>Aluminium anodized 1 mm</i>						AA	
<i>Aluminium black anodized 1 mm</i>						AN	
<i>Acrylic glass clear 2 mm</i>						AC	
<i>Acrylic glass red 2 mm</i>						AT	
<i>PVC white 1,5 mm</i>						AP	
<i>PVC black 1,5 mm</i>						AS	
<i>Option end plate for back frame:</i>							
<i>Aluminium anodized 1 mm</i>							PA
<i>Aluminium black anodized 1 mm</i>							PN
<i>Acrylic glass clear 2 mm</i>							PC
<i>Acrylic glass red 2 mm</i>							PT
<i>PVC white 1,5 mm</i>							PP
<i>PVC black 1,5 mm</i>							PS
<i>Option end plate seal:</i>							
<i>Neoprene gasket 1,5 mm one-sided pasted Shore ca. 15</i>							NE
<i>Natural rubber seal mm Shore ca. 50</i>							RGD
<i>Foam rubber seal cord grey</i>							DS

## For higher quantities or on-going demand, additional options are available as described below on request

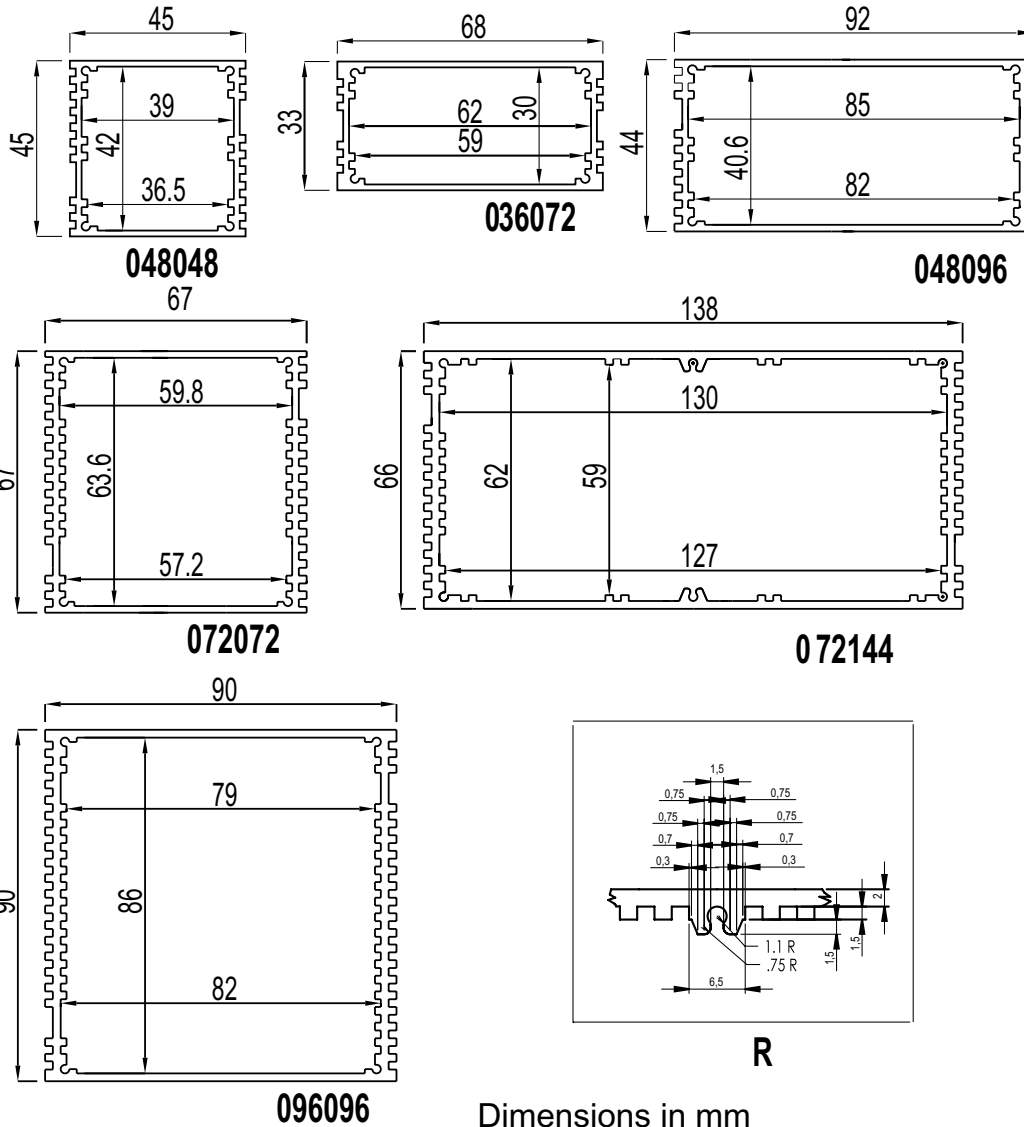
For Example: Processing of the housings such as drilling, punching, milling etc. as well as printing, customer-specific colours according to customer requirements. Customized processing of end plates, other thicknesses and materials. Chromate the bare housing and plates and more.

# Data Sheet for Aluminium Housing

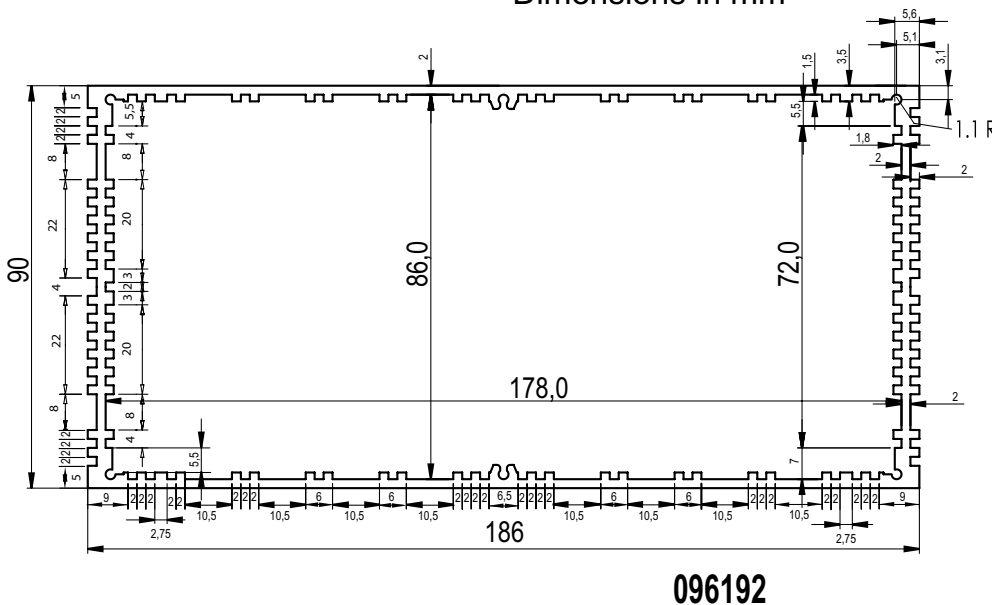
Electronics DIN aluminium housing

Series DIN K

## Drawing



Dimensions in mm

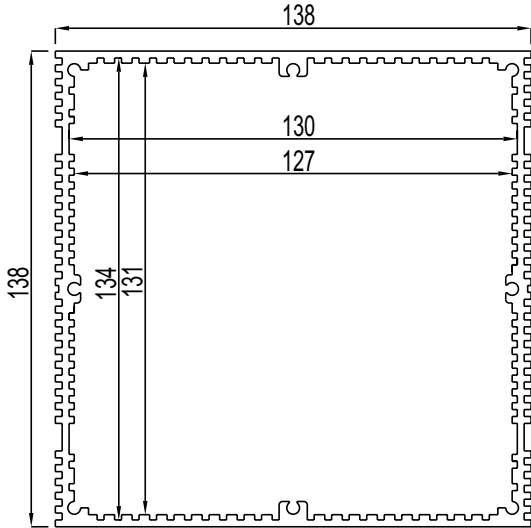


# Data Sheet for Aluminium Housing

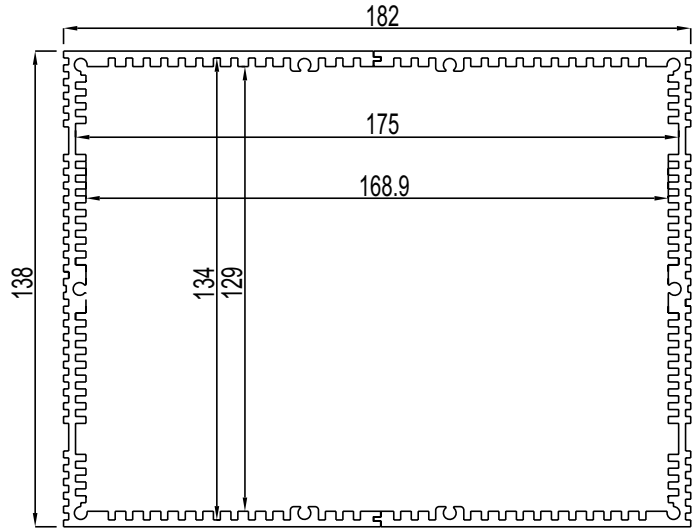
Electronics DIN aluminium housing

Series DIN K

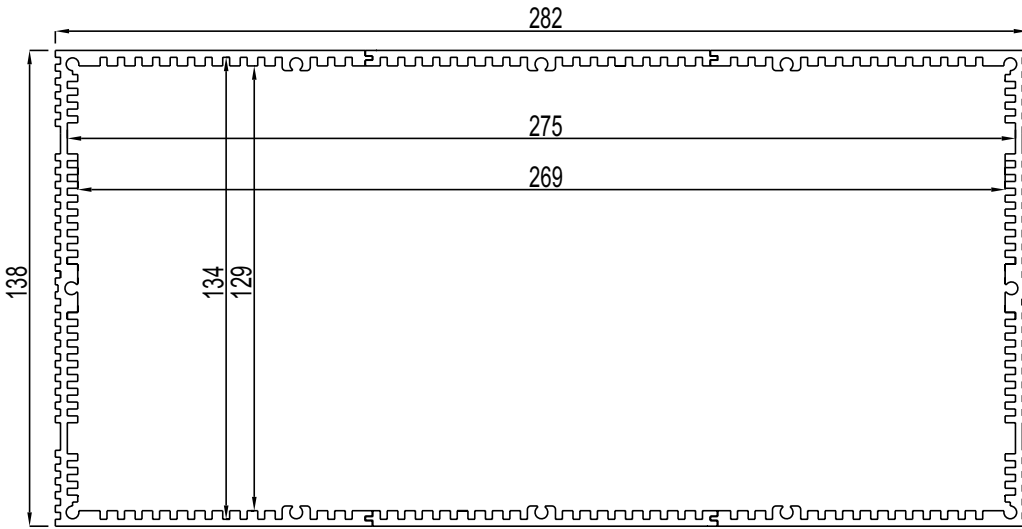
## Drawing



**144144**



**144192**



**144288**

# Data Sheet for Aluminium Housing

Electronics DIN aluminium housing

Series DIN K

Front and back frame (example pictures)



Mounting brackets and screws (example picture)

