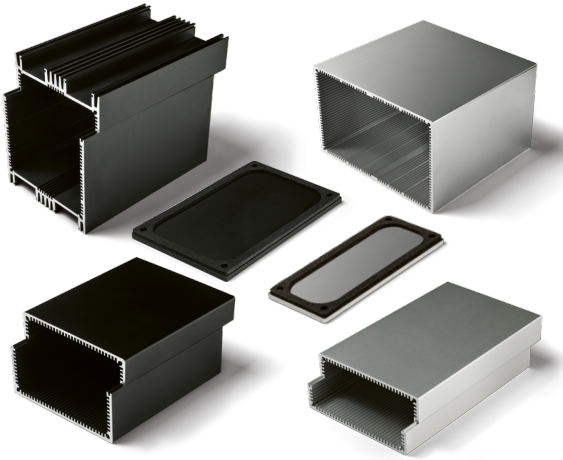


# Data Sheet for Aluminium Housing

Electronics aluminium housing for euroboards

Series EUKAP K



The extruded aluminium enclosures of the EUKAP K series for Eurocards are available in seven enclosure heights of 40, 60, 80, 100, 120, 140 and 160 mm with an internal width of 100 mm. The individual profiles can be combined to create a wide range of variants (2 profiles with external cooling fins). The enclosures are available in black anodized or natural anodized aluminium. Custom lengths  $\leq 3000$  mm are available. Matching end plates in black anodized or natural aluminium with gaskets are available to achieve IP65 protection. An EMC compliant design can be achieved by chromating the bare enclosures and plates.

Data Profile	KK	KK-34,5	P1	P1-43,5	P1-63,5	P2	203G
Internal dimensions hight	81 mm	21 mm	81 mm	41 mm	61 mm	21 mm	160 mm
Internal dim. PCB width	100 mm						
Groove x 2 vertical	21	4	20	10	15	4	29
Groove horizontal	7	7	29	29	29	29	42
Groove thickness	1.7 mm	1.65 mm	1.7 mm	1.7 mm	1.7 mm	1.7 mm	1.7 mm
External dim. hight	94.5 mm	34.5 mm	83.5 mm	43.5 mm	63.5 mm	23.5 mm	165 mm
External dim. width	105 mm						
Cooling fins external	yes	yes	no	no	no	no	no
Material	Aluminium EN AW-6060 T66						
Material thickness	1.6 mm						
Colour	Aluminium black or nature anodised						
Mass ca.	3.35 kg/m	2.13 kg/m	2.67 kg/m	1.83 kg/m	2.26 kg/m	1.42 kg/m	5.3 kg/m

Data End Plates	165	145	125	105	85	65	45
End plates hight	165 mm	145 mm	125 mm	105 mm	85 mm	65 mm	45 mm
End plates width	105 mm	105 mm	105 mm	105 mm	105 mm	105 mm	105 mm
Mass ca.	130 g	115 g	100 g	85 g	70 g	50 g	35 g
Material	Aluminium AlMg1						
Material thickness	3 mm						
Colour	Aluminium black or nature anodised						
Sealing	Cellular rubber ZG/GD 2.5 mm one-sided SKVL-M, shore ca. 50 black						
Mass sealing ca.	15 g	13 g	11 g	9 g	7 g	6 g	4 g
Feed for screws	2 x 4 screws M4 x 12 included in delivery						
Protection class with sealing	IP65						

# Data Sheet for Aluminium Housing

Electronics aluminium housing for euroboards

Series EUKAP K

## Order Code

Description	Selection: <b>standard=black/bold</b> , possible <i>options=grey/italic</i>				
Series:	EUKAP K				
<i>Combinations with a height of 160 mm internal dim.:</i>					
<b>KK + KK</b>	<b>201</b>				<b>165</b>
<b>KK + P1</b>	<b>202</b>				<b>165</b>
<b>P1 + P1</b>	<b>203</b>				<b>165</b>
<b>203G (Hollow profile)</b>	<b>203G</b>				<b>165</b>
<i>Combinations with a height of 140 mm internal dim.:</i>					
<b>KK + P1-63,5</b>	<b>212</b>				<b>145</b>
<b>P1 + P1-63,5</b>	<b>213</b>				<b>145</b>
<i>Combinations with a height of 120 mm internal dim.:</i>					
<b>KK + P1-43,5</b>	<b>214</b>				<b>125</b>
<b>P1 + P1-43,5</b>	<b>215</b>				<b>125</b>
<b>P1-63,5 + P1-63,5</b>	<b>222</b>				<b>125</b>
<i>Combinations with a height of 100 mm internal dim.:</i>					
<b>KK + P2</b>	<b>204</b>				<b>105</b>
<b>P1 + P2</b>	<b>205</b>				<b>105</b>
<b>KK + KK-34,5</b>	<b>209</b>				<b>105</b>
<b>P1-63,5 + P1-43,5</b>	<b>223</b>				<b>105</b>
<i>Combinations with a height of 80 mm internal dim.:</i>					
<b>P2 + P1-63,5</b>	<b>216</b>				<b>85</b>
<b>KK-34,5 + P1-63,5</b>	<b>220</b>				<b>85</b>
<b>P1-43,5 + P1-43,5</b>	<b>224</b>				<b>85</b>
<i>Combinations with a height of 60 mm internal dim.:</i>					
<b>P2 + P1-43,5</b>	<b>217</b>				<b>65</b>
<b>KK-34,5 + P1-43,5</b>	<b>221</b>				<b>65</b>
<i>Combinations with a height of 40 mm internal dim.:</i>					
<b>P2 + P2</b>	<b>206</b>				<b>45</b>
<b>P2 + KK-34,5</b>	<b>211</b>				<b>45</b>
<b>KK-34,5 + KK-34,5</b>	<b>225</b>				<b>45</b>
<b>Profile length:</b>					
<b>120 mm</b>			<b>120</b>		
<b>160 mm</b>			<b>160</b>		
<b>200 mm</b>			<b>200</b>		
<i>Option custom length ≤3000 mm</i>			<i>xxxx</i>		
<b>Profile colour:</b>					
<b>Aluminium black anodised</b>				<b>SW</b>	
<b>Aluminium nature</b>				<b>BL</b>	
<b>End plates fits for combination - colour depends on profile colour</b>					<b>see above</b>
<b>End plates seal:</b>					
<b>Standard cellular rubber (shore ca. 50)</b>					<b>-</b>
<i>Option foam rubber seal cord grey in (x) meter</i>					<i>DSxx</i>

## For higher quantities or on-going demand, additional options are available as described below on request

For Example: Processing of the housings such as drilling, punching, milling etc. as well as printing, customer-specific colours according to customer requirements. Customized processing of end plates, other thicknesses and materials. Chromate the bare housing and plates and more.

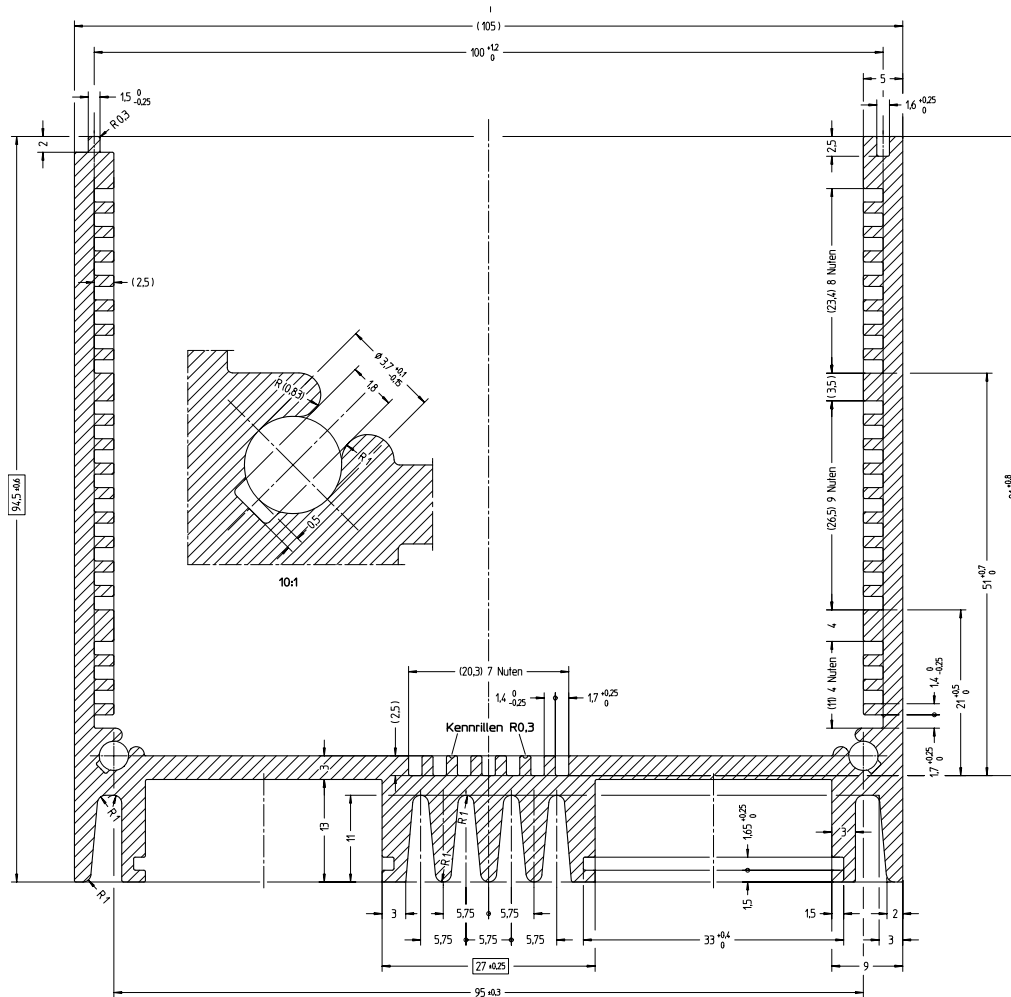
# Data Sheet for Aluminium Housing

Electronics aluminium housing for euroboards

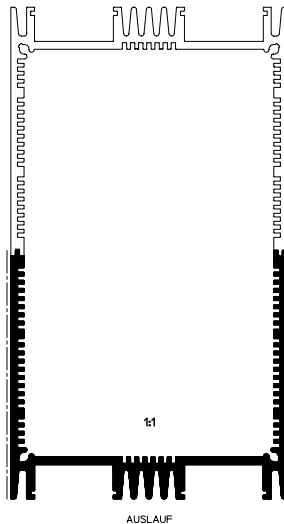
Series EUKAP K

## Drawing

### Profile KK



muss mit sich selbst passen





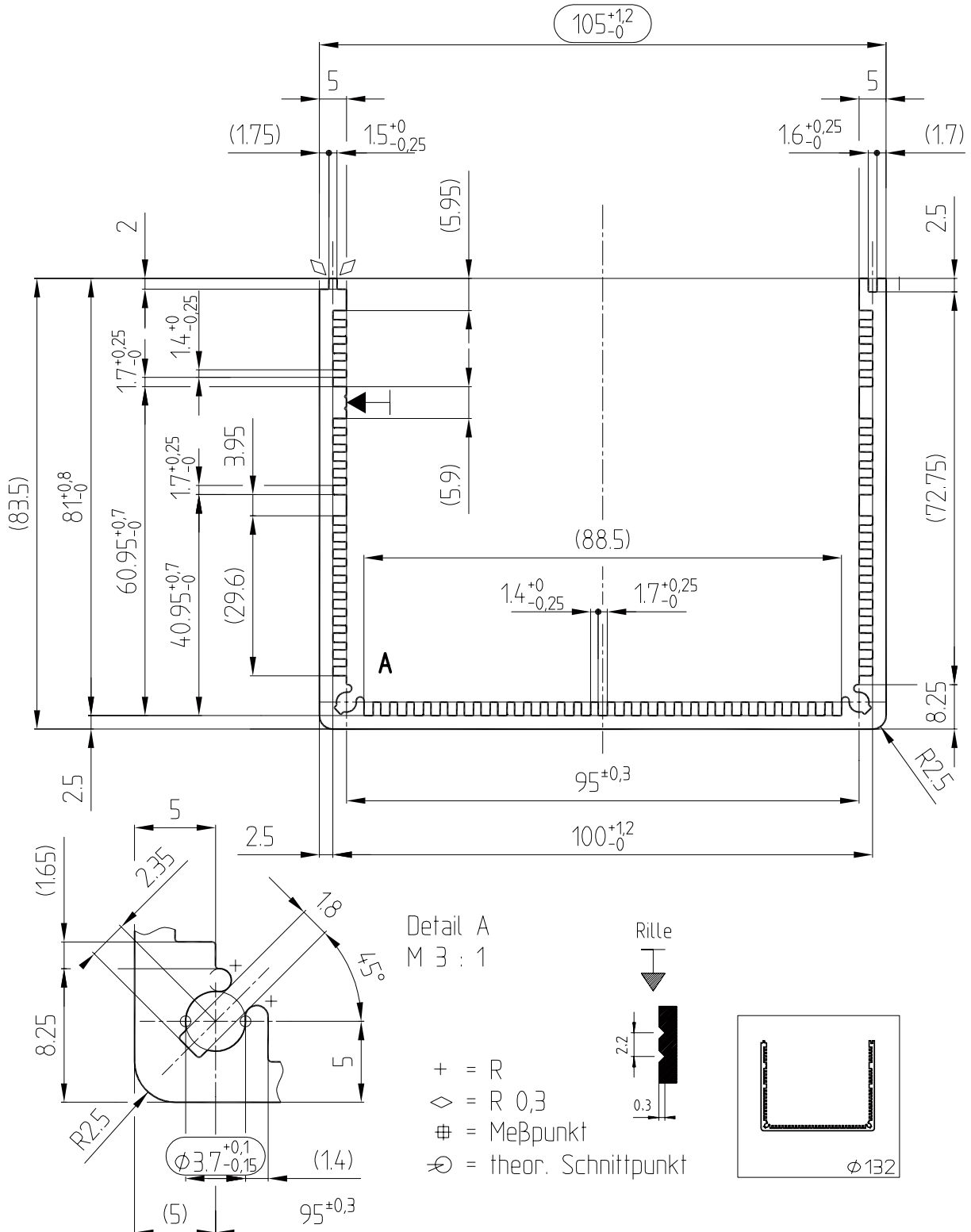
# Data Sheet for Aluminium Housing

Electronics aluminium housing for euroboards

Series EUKAP K

## Drawing

### Profile P1



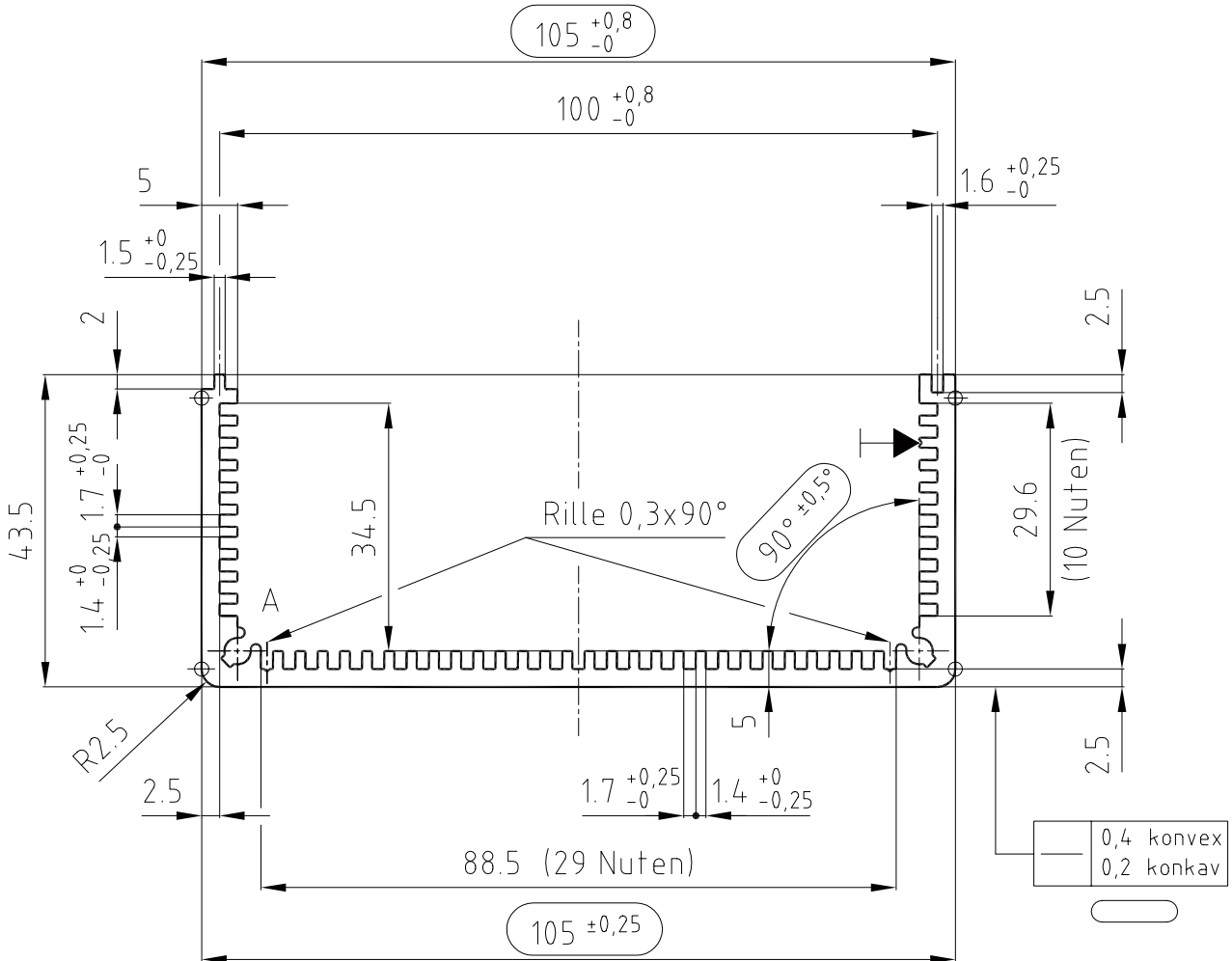
# Data Sheet for Aluminium Housing

Electronics aluminium housing for euroboards

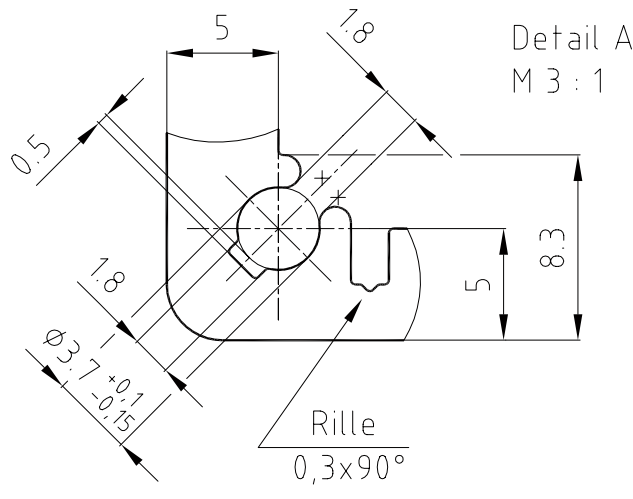
Series EUKAP K

## Drawing

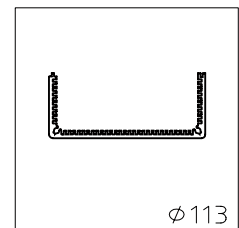
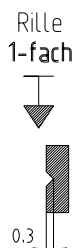
### Profile P1-43,5



—	0,4 konvex
—	0,2 konkav



+ = R



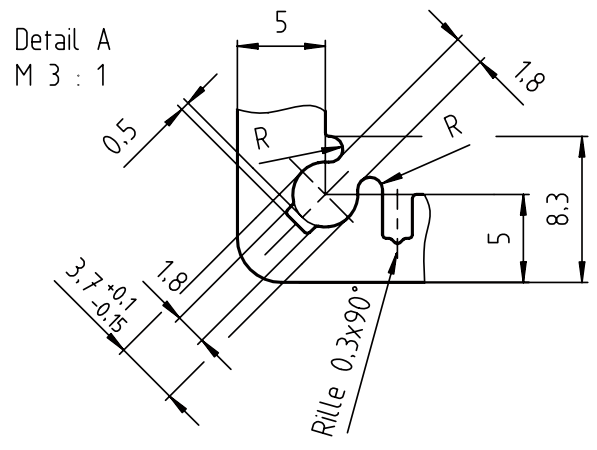
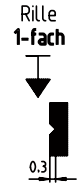
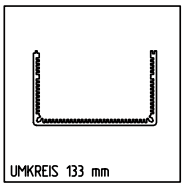
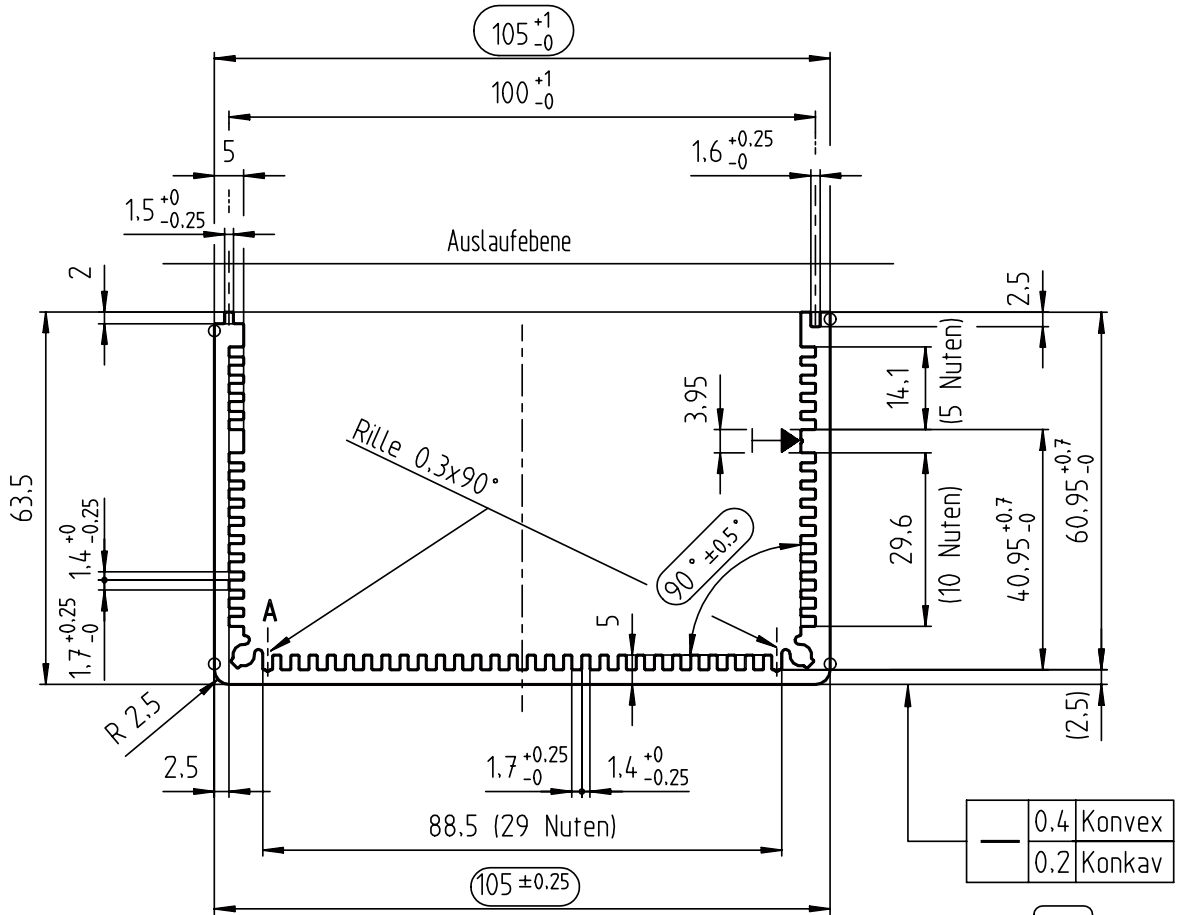
# Data Sheet for Aluminium Housing

Electronics aluminium housing for euroboards

Series EUKAP K

## Drawing

### Profile P1-63,5



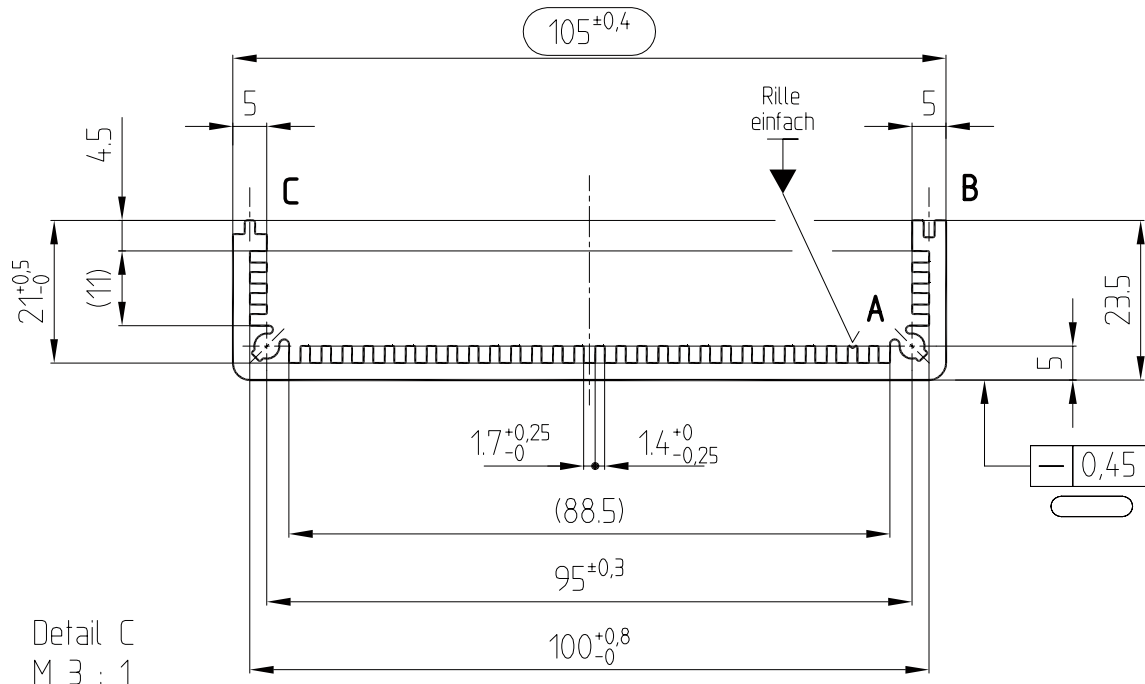
# Data Sheet for Aluminium Housing

Electronics aluminium housing for euroboards

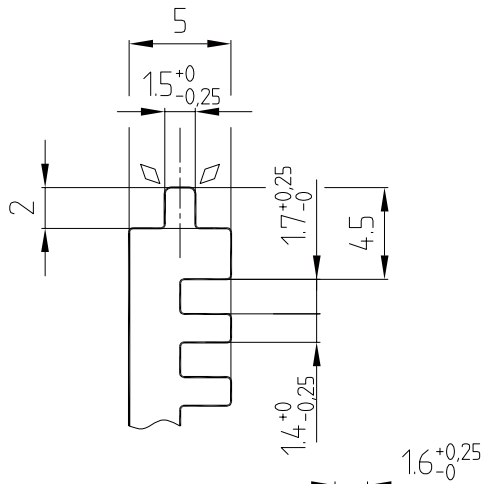
Series EUKAP K

## Drawing

### Profile P2

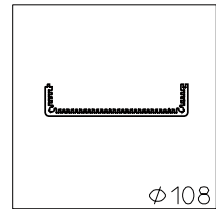


Detail C  
M 3 : 1

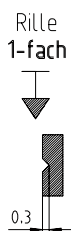
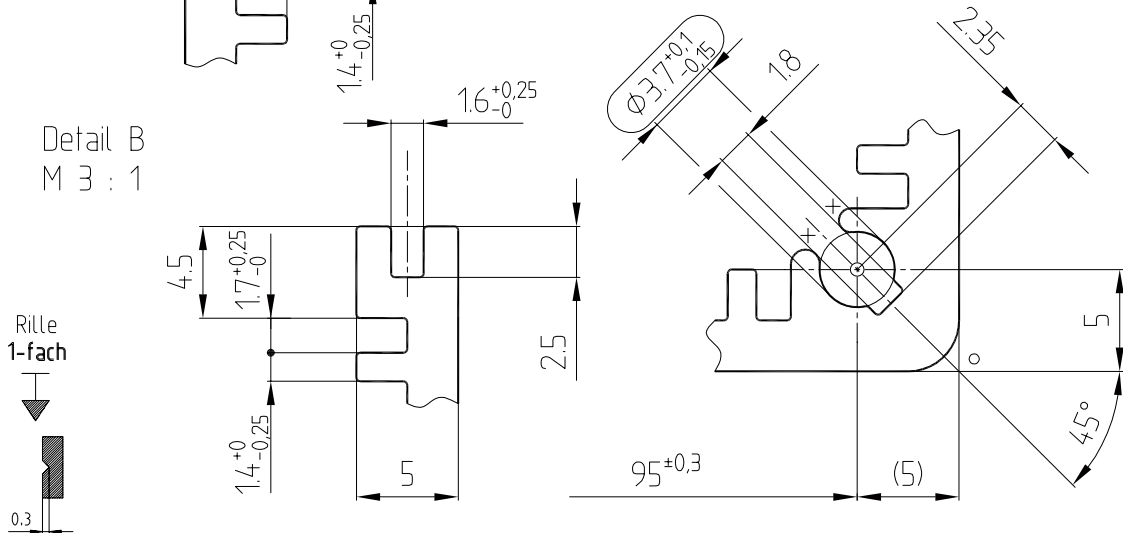


Detail B  
M 3 : 1

- ⊙ = theor. Schnittpunkt
- ◇ = R 0,3
- = R 2,5
- + = R



Detail A  
M 3 : 1





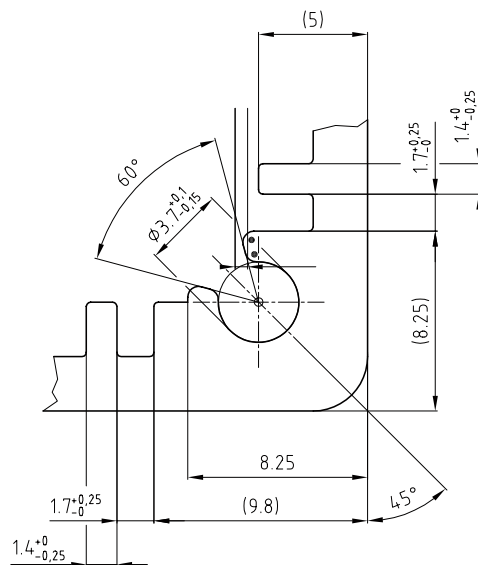
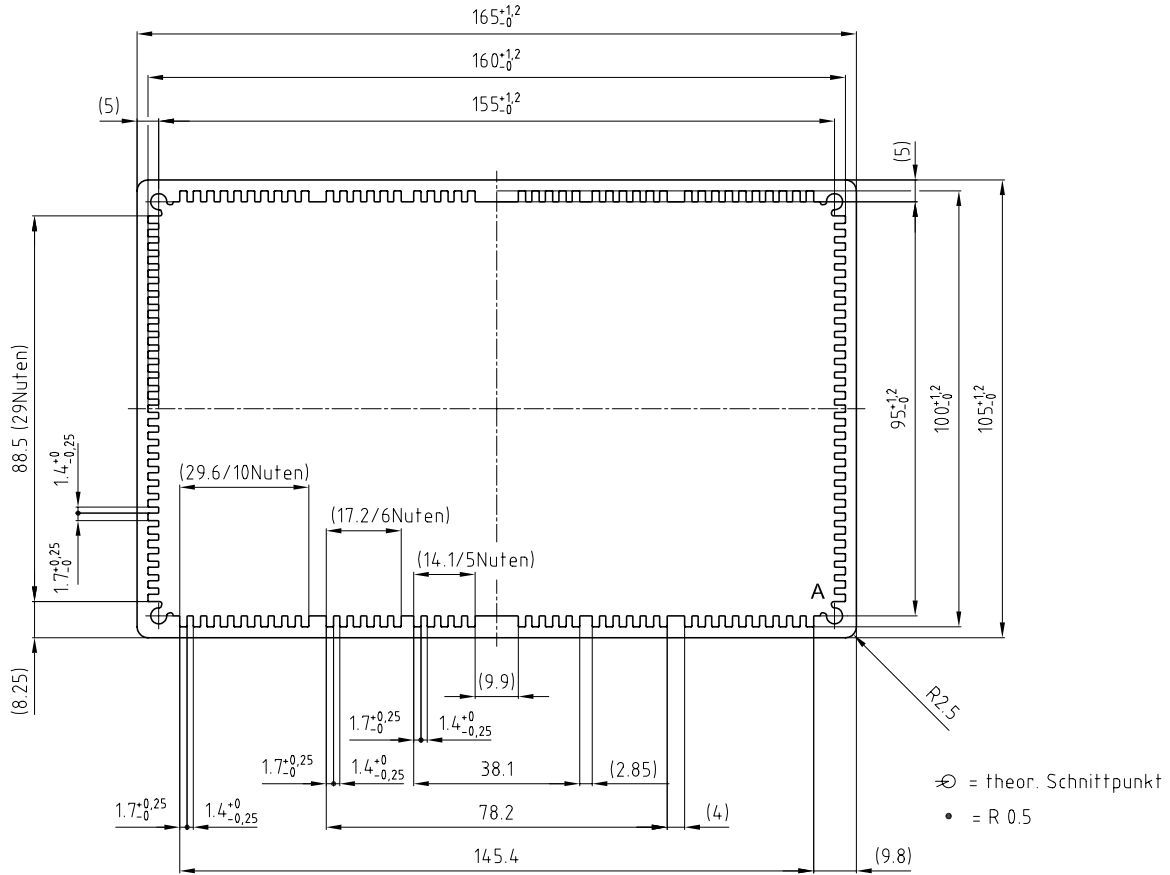
# Data Sheet for Aluminium Housing

Electronics aluminium housing for euroboards

Series EUKAP K

## Drawing

### Profile 203G



Detail A  
M 5 : 1

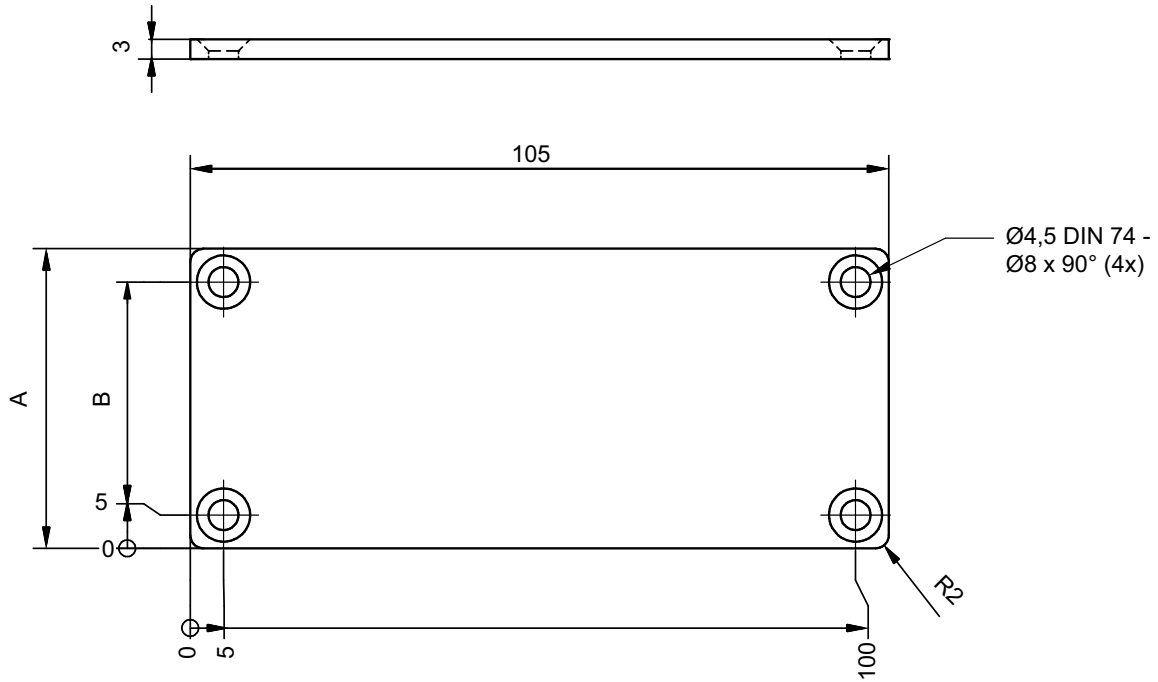
# Data Sheet for Aluminium Housing

Electronics aluminium housing for euroboards

Series EUKAP K

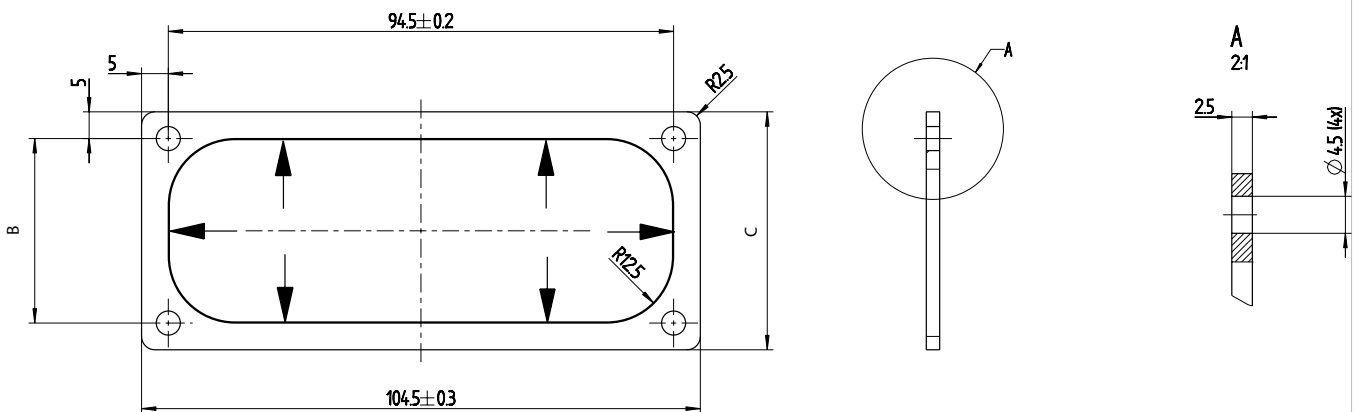
## Drawing

### End plates



Dimensions	165	145	125	105	85	65	45
A [mm]	165	145	125	105	85	65	45
B [mm]	155	135	115	95	75	55	35

### Seal



Dimensions							
B [±0.2 mm]	155	135	115	95	75	55	35
C [±0.3 mm]	173.5	154.5	124.5	104.5	94.5	74.5	54.5