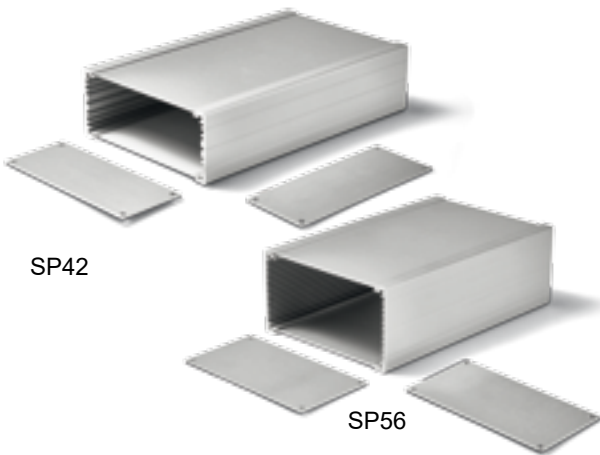


Data Sheet for Aluminium Housing

Electronics aluminium housing

Series EUKAP SP



Small profile enclosures designed to accommodate EUROPA format printed circuit boards.

We offer two standard kit enclosures in profile lengths of 165 mm x 103 mm and profile heights of 42 mm (SP42) and 56 mm (SP56), including base plates, end plates and screws. The aluminium enclosures are available in an anodised aluminium finish (black anodized optional).

For custom enclosure designs, we offer the side profiles with a standard length of 1000 mm. Customized lengths up to max. 3000 mm are possible.

Data Standard Housing	SP42	SP56
External dimensions length	165 mm (+3 mm end plates)	
External dimensions width	103 mm	
External dimensions height	42 mm	56 mm
Groove x 2 and thickness	2 x 2.5 mm 5 x 1.6 mm	15 x 1.8 mm

Data cover plates	
Length	165 mm
Width	89 mm
Material	Aluminium
Colour	Aluminium nature anodized (optional black anodized)
Material thickness	1.5 mm

Data End Plates	
Material	Aluminium
Colour	Aluminium nature anodized (optional black anodized)
Material thickness	1.5 mm
Feed for screws	8 pieces 2.9 x 9.5 included in delivery

Data Side Profile	SP42	SP56
External dimensions height	10 mm	
External dimensions width	42 mm	56 mm
Internal dimension width	34 mm	48 mm
Thickness of cover	max. 1.6 mm	
Material	ALMgSi 0.5 F22	
Colour	Aluminium nature anodized (optional black anodized)	
Mass ca.	0.41 kg/m	0.56 kg/m

Data Sheet for Aluminium Housing

Electronics aluminium housing

Series EUKAP SP

Order Code Standard-Profile-Housing-Kit: Profile + cover plates + end plates + screws

Description	Selection: standard=black/bold , possible <i>options=grey/italic</i>				
Series:	EUKAP SP GEHÄUSE				
Housing hight: 42 mm 56 mm		42 56			
Housing length: 165 mm <i>Option custom length <3000 mm</i>			165 XXXX		
Housing colour: Aluminium nature anodized <i>Option Aluminium black anodized</i>				A N	

Order Code Side Profile

Description	Selection: standard=black/bold , possible <i>options=grey/italic</i>				
Series:	EUKAP SP PROFIL				
Profile hight: 42 mm 56 mm		42 56			
Profile length: 1000 <i>Option custom length <3000 mm</i>			1000 XXXX		
Profile colour: Aluminium nature anodized <i>Option Aluminium black anodized</i>				A N	

For higher quantities or on-going demand, additional options are available as described below on request

For Example: Processing of the housings such as drilling, punching, milling etc. as well as printing. Customized processing of end plates and much more.

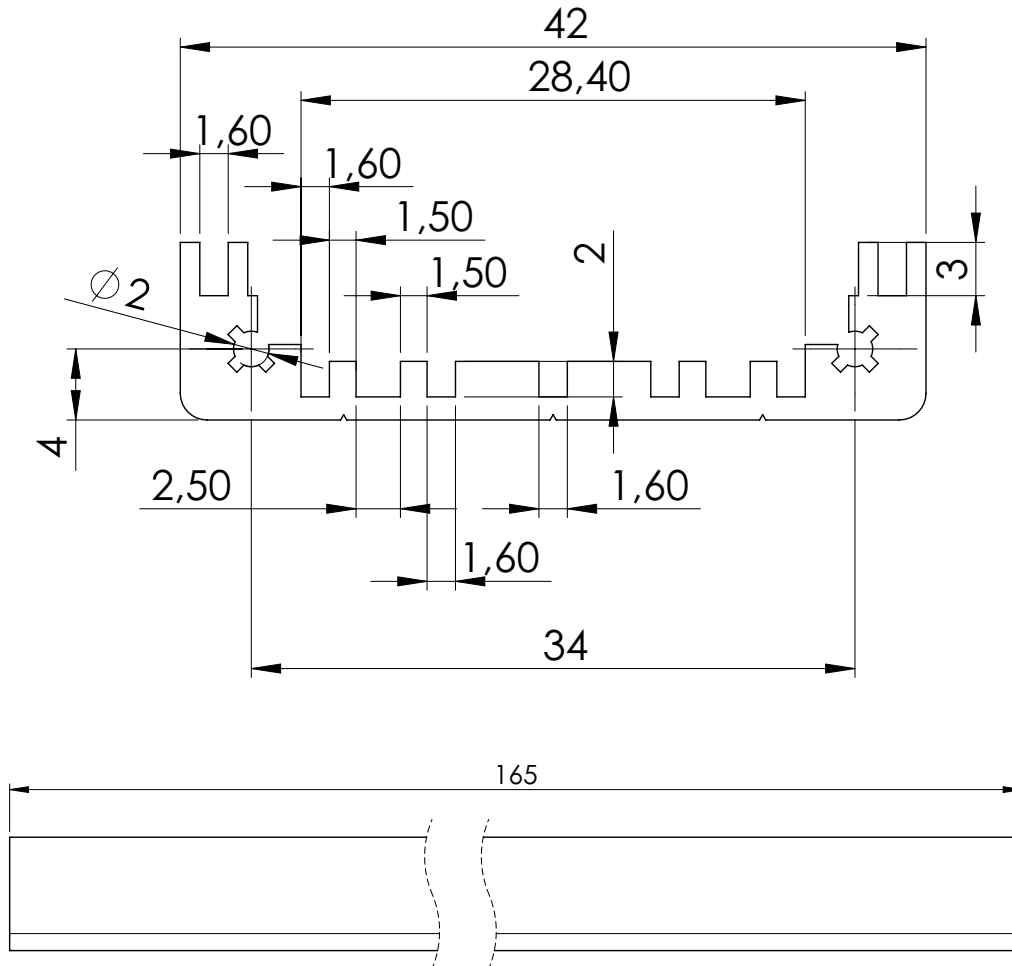
Data Sheet for Aluminium Housing

Electronics aluminium housing

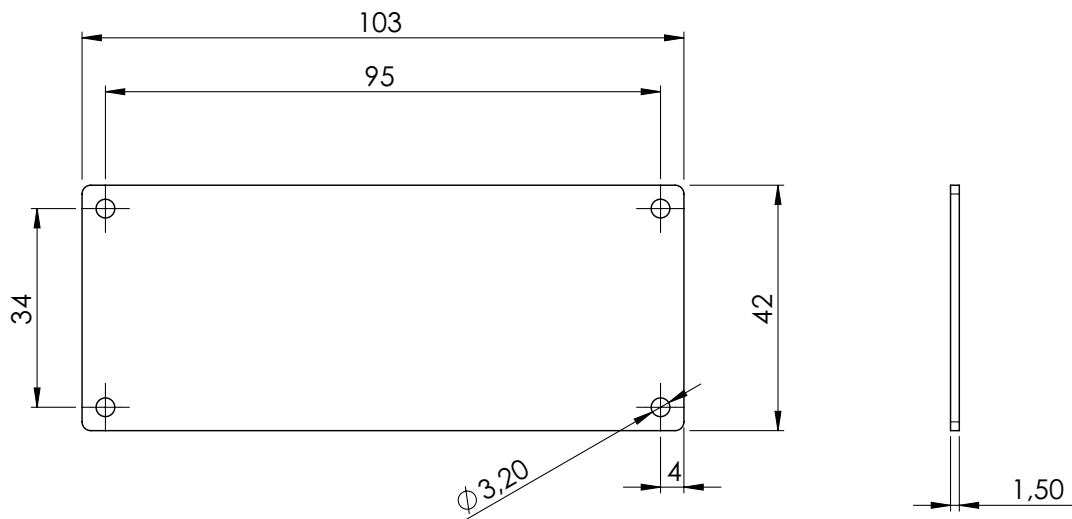
Series EUKAP SP

Drawing

Profile SP42

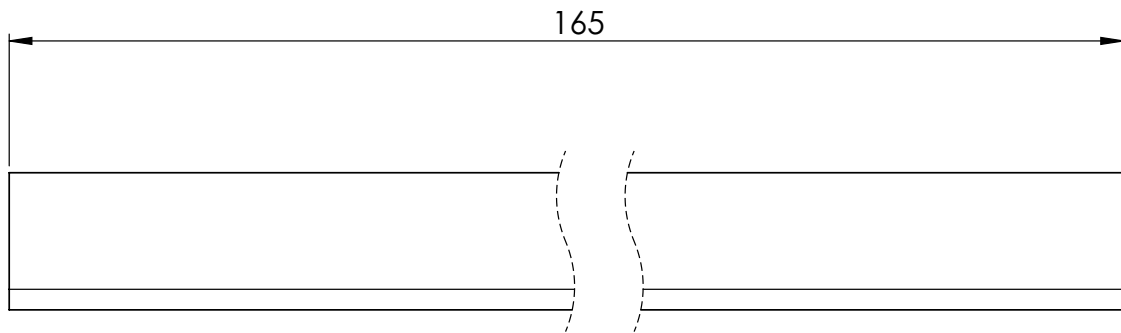
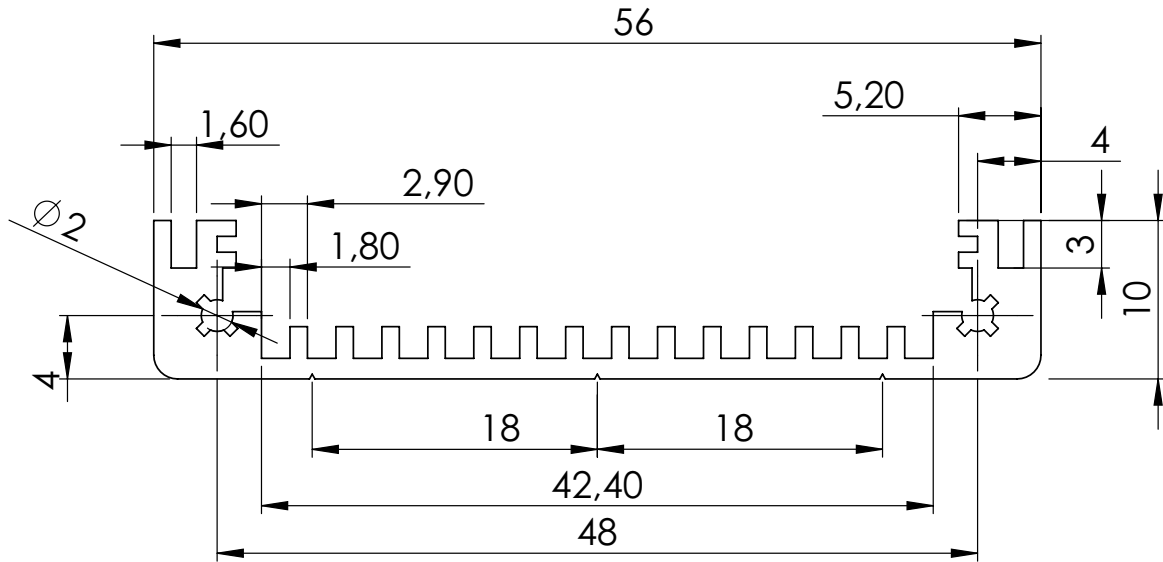


End plates SP42

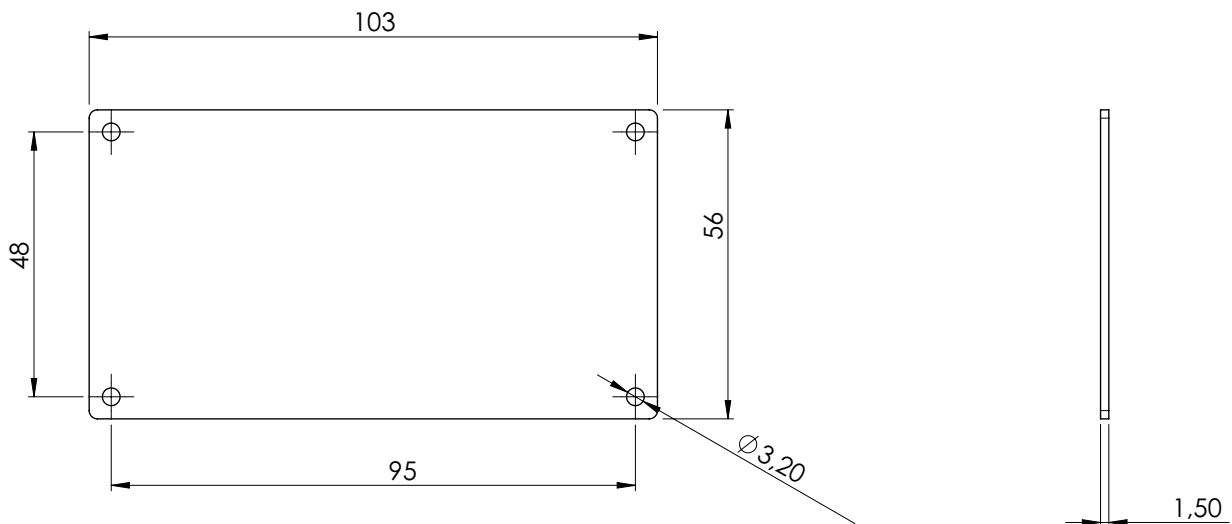


Drawing

Profile SP56



End plates SP56



Data Sheet for Aluminium Housing

Electronics aluminium housing

Series EUKAP SP

Drawing

Cover plates

