

Data Sheet for Panel Encoders

Multiturn Rotary Potentiometer (Wirewound) with Knob

Series MCD17



The MCD17 (MCDK without decorative ring around the lens) manual dials with knob and lock are designed for applications requiring a precise multi-turn potentiometer.

- Completely pre-assembled set
- 000...999 good readability of the numbers
- Knob with locking mechanism
- Soldering lugs or clamp connection
- With many options

These locking manual adjusters are supplied ready for installation. They consist of an AL17 precision multi-turn potentiometer and the adjustment knob. The potentiometer is available in 3, 5 or 10-turn versions. The radial gold-plated connection pins are suitable for flat connectors (2.8 mm to DIN 46247 Part 3).

Electrical Data	3-turn	5-turn	10-turn
Effective electrical angle of rotation 1.)	1080° ±5°	1800° ±5°	3600° ±5°
Total resistance 1.)	0.1..10 kOhm	0.1..50 kOhm	0.1..100 kOhm
Resistance tolerance	±5% (±1%)		
Independent linearity (best straight line) 1.)	±0.25%	±0.25%	±0.15% R ≥ 5k ±0.25% R < 5k (±0.1% R ≥ 5k / ±0.15% R < 5k)
Theoretical resolution 1.)	Depends on resistance value (see table below)		
Backlash (Hysteresis) 1.)	≤ 2°		
Rotational noise (ENR) 1.) (Method C)	< 100 Ohm		
Max. / recommended wiper current 1.)	< 35 mA / 2 µA		
Power rating @ 70°C (0W @ 105°C)	0.5 W	1 W	2 W
Insulation Voltage 1.)	1000 VAC, 1min		
Insulation Resistance 1.)	1000 MOhm @ 500 VDC		

Mechanical Data, Environmental Conditions, Miscellaneous	3-turn	5-turn	10-turn
Mechanical angle of rotation 1.)	1080° +10°	1800° +10°	3600° +10°
Lifetime (90% el. eff. angle half sine) 2.)	300.000 rev,	500.000 rev.	1 mio. rev.
Counter range of the adjustment knob	000..300	000..500	000..999
Bearing	Plastic sleeve bearing		
Locking mechanism available in adjusting knob	yes		
End stop torque 1.) 2.)	35 Ncm		
Operating temperature range standard version	-30 °C up to +60 °C		
Storage temperature range	-55 °C up to +105 °C		
Protection grade (IEC 60529)	IP40		
Color adjustment knob	Black with (MCD) or without (MCDK) decorative ring around lens		
Color digit role	Black with white digits		
Housing diameter knob	30.5 mm		
Housing depth without / with clamp connection (KA)	38.5 mm / 57.5 mm		

Data Sheet for Panel Encoders

Multiturn Rotary Potentiometer (Wirewound) with Knob

Series MCD17

Mechanical Data, Environmental Conditions, Miscellaneous	3-turn	5-turn	10-turn
Connection type	Gold plated soldering lugs or clamp		
Connection position	Radial		
Mass	app. 73 g		
Mounting of the manual adjuster	A30 according to DIN1810 or with tool MCM # 106999		
Fastening parts included in delivery	Metal fastening nut, rubber sealing washer		

1.) According IEC 60393

2.) Determined by climatic conditions according to IEC 68-1, para. 5.3.1 without load collectives

Please note: Max. permissible supply voltage <75 VDC respectively <50 VAC in addition the max. power rating must be observed

Number of wire turns / resolution										
Resistance value Ohm	100	200	500	1k	2k	5k	10k	20k	50k	100k
Number of wire 03-turns	820	920	1270	1350	1270	1990	2570	-	-	-
Number of wire 05-turns	1240	1560	2000	2510	2400	3200	3900	4800	5500	-
Number of wire turns 10-turns	2100	2480	3300	4000	5020	5000	6400	7800	10100	11000

Resolution in degree E.g. R5k 5-turn = $1800^\circ / 3200 = 0,563^\circ$ per winding resistive wire

Data Sheet for Panel Encoders

Multiturn Rotary Potentiometer (Wirewound) with Knob

Series MCD17

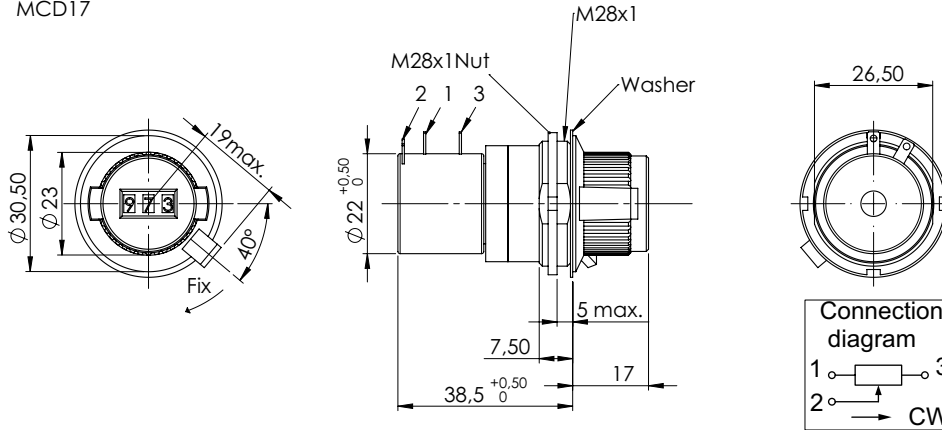
Order code									
Description	Selection: standard=black/bold , possible <i>options=grey/italic</i>								
Series With decorative ring around lens <i>Option without ring around lens</i>	MCD17 <i>MCDK17</i>								
Revolutions with stop: 3-turn with digits 000..300 5-turn with digits 000..500 10-turn with digits 000..999		03M 05M 10M							
Resistance value / <i>Option Tandem:</i> <i>Option 100 Ohm</i> <i>Option 500 Ohm</i> 1 kOhm <i>Option 2 kOhm</i> 5 kOhm 10 kOhm <i>Option 20 kOhm (only 5 + 10 Turn)</i> <i>Option 50 kOhm (only 5 + 10 Turn)</i> <i>Option 100 kOhm (only 10 Turn)</i>				<i>Tandem</i> <i>R100 /100</i> <i>R500 /500</i> R1k /1k <i>R2k /2k</i> R5k /5K R10k /10K <i>R20K /20K</i> <i>R50K /50k</i> <i>R100K /100k</i>					
<i>Option rear shaft (only version with soldering lugs possible):</i> <i>Standard Ø6,35 x 15 mm</i> <i>Shaft length in mm</i> <i>Shaft diameter in mm (≤6,35 mm)</i>						<i>RA</i> <i>RAxx,xx</i> <i>RADMx,xx</i>			
Electrical connection: Soldering lugs Clamp							- KA		
Resistance tolerance: ±5% <i>Option ±1%</i>								W5% <i>W1%</i>	
Independent linearity: ±0,25% (3 to 10-turn / R < 5k 10-turn) ±0,15% R ≥ 5k (10-turn) <i>Option ±0,15% (10-turn) R < 5kOhm</i> <i>Option ±0,10% (10-turn) R ≥ 5kOhm</i> <i>Option center tap (only 10-turn):</i>									L0,25% L0,15% <i>L0,15%</i> <i>L0,1%</i> <i>CT</i>

For higher quantities or on-going demand, additional options are available as described below on request

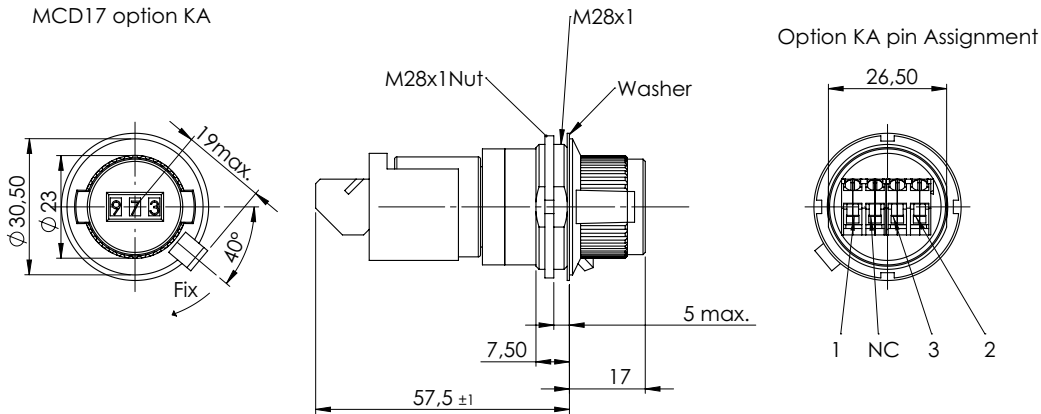
For Example: Tandem- or multi ganged potentiometers, sealed housing case, special electrical and mechanical angles of rotation, and special resistance and linearity tolerances. Furthermore we can mount gear wheels or attach cable assemblies with or without connectors and much more.

Drawing

MCD17

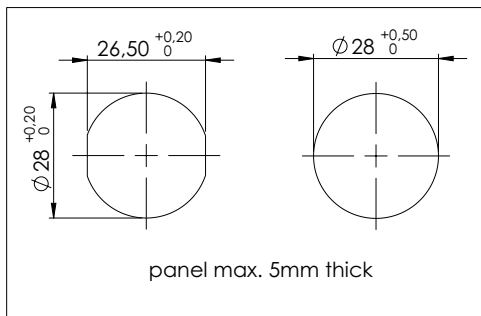


MCD17 option KA

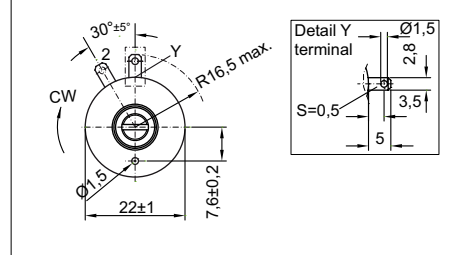


Dimensions in mm

Pattern of Drilling

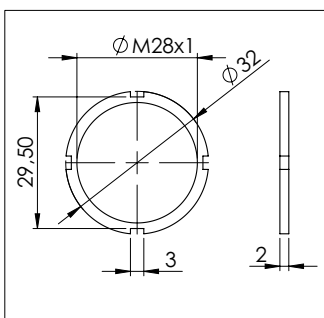


Details of Potentiometer



Note: For mounting fixing ring use wrench A30 according to DIN1810 or order MCM #106999 (wrench not included in delivery)

Ring nut



Washer

