

Data Sheet for Precision adjustment Knobs

Precision adjustment knob with digit role and locking mechanism

Series DCD



Adjustment knob DCD in 26 x 44 mm housing with 3 or 4 digit display for 10 or 100 revolutions and locking mechanism.

- Knob with 3 or 4 digit display
- For 10 or 100 revolutions
- With locking mechanism
- For 3..6,35 mm shafts
- Housing in grey or black

The DCD series allows a very precise manual handling with up to 10 or 100 revolutions. The lock prevents unintentional adjustments.

Data adjustment knob

Number of full revolutions	10 or 100
Counter range of the adjustment knob	3 or 4 digit counter role (000..999 or 0000..9999)
Brake available	yes
For shaft diameter	3 mm / 3.175 mm / 4 mm / 6 mm / 6.35 mm
Shaft length (of sensor) over panel	max. 21 mm, min. 16,5 mm
Housing dimensions	26 x 44 mm
Housing depth	16.5 mm (with knob 26 mm)
Knob diameter	Conical from 15 mm (front) to 16,5 mm (end)
Operating temperature range	-30 °C up to +60 °C
Storage temperature range	-30 °C up to +60 °C
Protection grade (IEC 60529)	IP40
Colour housing	Black, silver
Colour adjustment knob	Black
Material knob/housing	Plastic and metal
Mass	ca. 60 g
Mounting parts included in delivery	Hexagon socket wrench

Data Sheet for Precision adjustment Knobs

Precision adjustment knob with digit role and locking mechanism

Series DCD

Order code

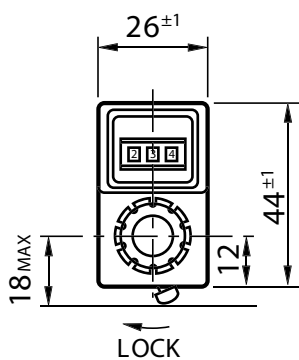
Description		Selection: standard=black/bold , possible <i>options=grey/italic</i>			
Series:	DCD				
Number of digits:					
3 digit display		10			
4 digit display		100			
For shaft diameter:					
Ø 6,00			6 MM		
Ø 6,35			1/4 "		
<i>Option Ø 3</i>			<i>3 MM</i>		
<i>Option Ø 3,175</i>			<i>3,17 MM</i>		
<i>Option Ø 4</i>			<i>4 MM</i>		
Housing colour:					
Black				SCHWARZ	
Gray				GRAU	

For higher quantities or on-going demand, additional options are available as described below on request

For example: Other housing colours such as aluminium, versions with cardan coupling, without anti-rotation pin, without locking mechanism etc.

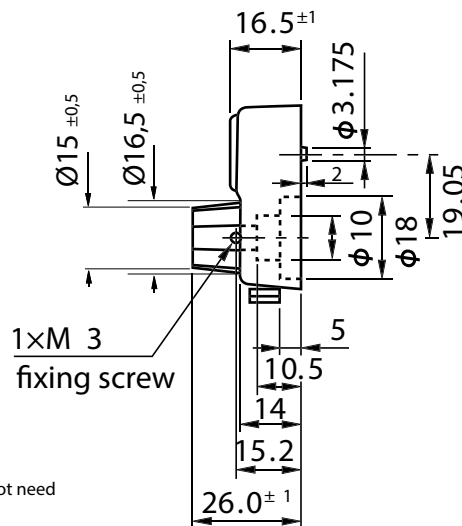
Drawing

DCD 10 / 100

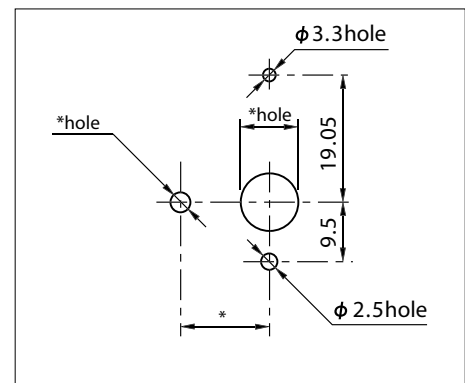


Note: DCD 100 with 4 digits

Note: Version with anti rotation pin does not need mounting adaptor or nut



Panel Arrangements



Note: The diameter of *hole is depending on the diameter of potentiometer to be mounted.

Dimensions in mm