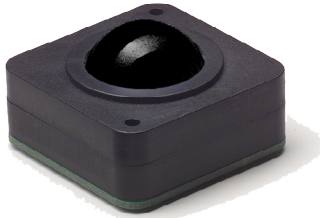


# Data Sheet for Trackballs

Panel Mount Trackball

Series 816TB



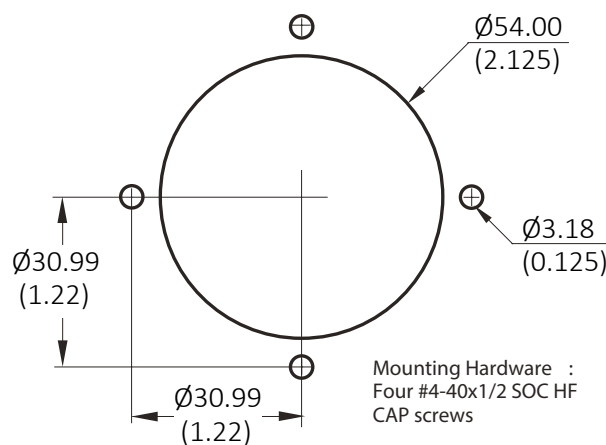
- 2.00" ball diameter
- Different resolutions available (120, 240 and 480 DPI)
- Protection IP40
- Mountable from level up to 90°
- Applications involve positioning, medical diagnostics, navigation controllers
- USB 2.0 protocol

The compact design allows for mounting in flat panels. Stainless steel axes ensure a uniform rolling movement.

## Technical data

Ball Diameter	2" (50,8 mm)
Ball Rotation	360°
Bias Voltage (USB)	4.75 - 5.25 V (max. 25 mA)
Cover Plate / Ball Material	High impact ABS / thermoset phenolic ball
Weight	281 g
Expected Mechanical Life	5 mio. rotations for 180° with 1.6 N vertical load
Expected Electrical Life	typ. 100 000 h power on
Output	USB 2.0 protocol
Power Consumption	approx. 6 mA per axis
Tracking Force	0,1 N
Operating Temperature	-15 °C..+70 °C
Storage Temperature	-32 °C..+75 °C
Protection	IP40

## Mounting



All values in mm (inches)

# Data Sheet for Trackballs

Panel Mount Trackball

Series 816TB

## Order Code

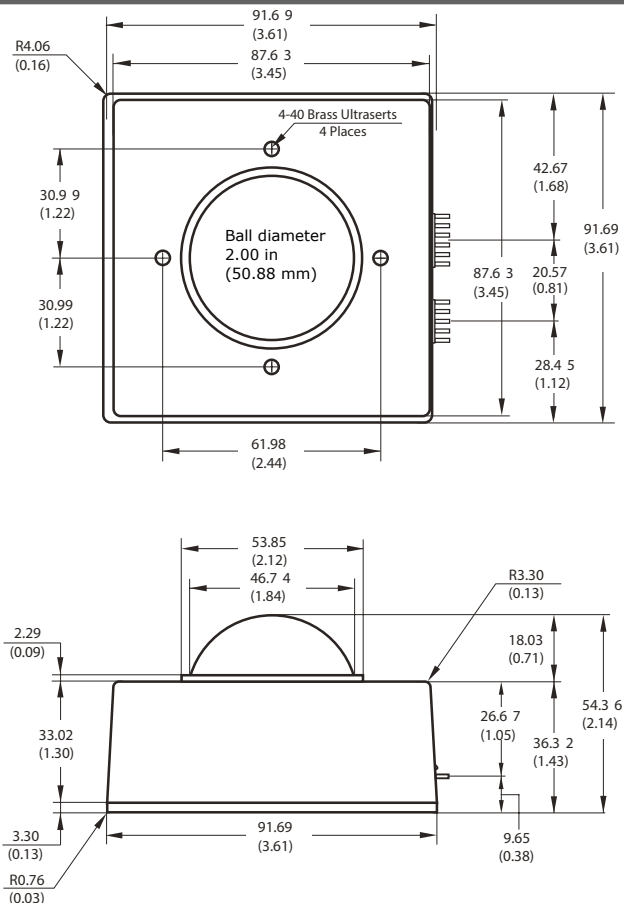
Description	Selection: standard=black/bold, possible options=grey/italics						
Series	<b>816TB</b>						
Output signal: USB 2.0		<b>7</b>					
Mounting: Option level to 45° Option level to 90°			<b>1</b> 2				
Resolution: 160 DPI <b>320 DPI</b> 640 DPI					1 <b>2</b> 3		
BAUD rate: Fixed data rate						<b>0</b>	
Supply voltage: 5 V (4.75-5.25 V, USB)							<b>2</b>
Ball color: black							<b>0</b>

For higher quantities or on-going demand, additional options are available

For example:

- Pushbutton switches
- Customer-specific cables

## Technical Drawing



All values in mm (inches)