

Series KMB31

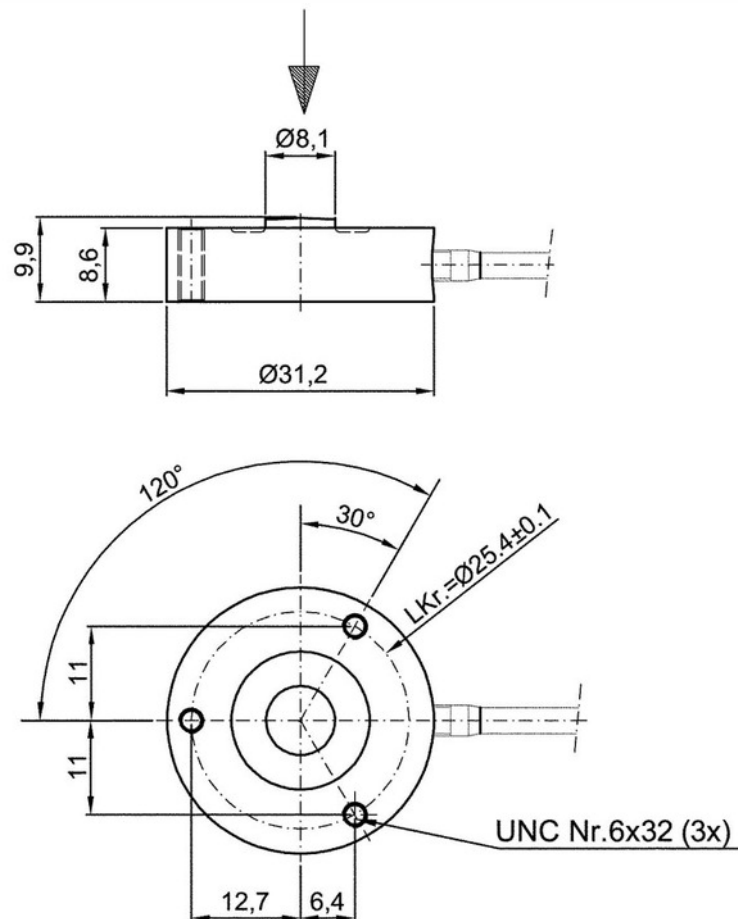
- Capacity from 0...400N to 0...10kN
- Calibration in compression
- Loadcell in steel
- Protection class IP66

The series is an universal transducer with small dimensions, useable in various applications.

They are available in a from capacity independent housing shape.



Dimensional Drawing



Series KMB31

Technical Data

Capacity (0 to ...)	0,4; 2; 4; 8; 10 kN
Operating Overload	120%F.S.
Safe Overload	150%F.S.
Ultimate Overload	> 200%F.S.
Rated Output	2mV/V
Rated Output Tolerance	10%F.S.
Zero Balance	3%F.S.
Non-Linearity	0,8%F.S.
Hysteresis	0,8%F.S.
Creep (30 min)	0,2%F.S.
Total Error *	2%F.S.
Non-Repeatability	0,3%F.S.
Temp.Effect on Zero	0,2%F.S./10K
Temp.Effect on Output	0,1%F.S./10K
Legend:	*) = Hysteresis included All above values in %F.S. < = ± values

Mechanical Data

Measuring Method	Foil Strain Gage Full Bridge
Material Loadcell	stainless Steel

Ambient Conditions

Compensated Temperature	-10 ... +40° C
Operating Temperature	-20 ... +60° C
Protection Class	IP 66

Electrical Data

Input Impedance	350 ± 30 Ω
Output Impedance	350 ± 3 Ω
Insulation	> 2000 MΩ
Recommended Excitation	5 VDC typ., 7 VDC max.
Cable Size	4-wire shielded, 2m

Series KMB31

Signal Versions

	Supply	Signal
0000 without amplifier	5 V	10 mV \pm 20%

Electrical Connection

Wiring	0000
black	Excitation -
red	Excitation +
green	Signal +
white	Signal -
Shield	On request shield on housing

Ordering Code

Ordering Code					Accessories
Series	KMB31				External Amplifier <ul style="list-style-type: none"> • IMA2-DMS
Capacity		400N			
		2KN			
		4KN			
		8KN			
		10KN			
Connection			K		
Amplifier				0000	
Force Direction					D

The specifications and information in this datasheet cannot consider all special demands that are caused by the application. Because of this, they are no general description of the properties of the product.
 24.05.2016. All specifications are subject to change without notice.

(*) = on request available for projects