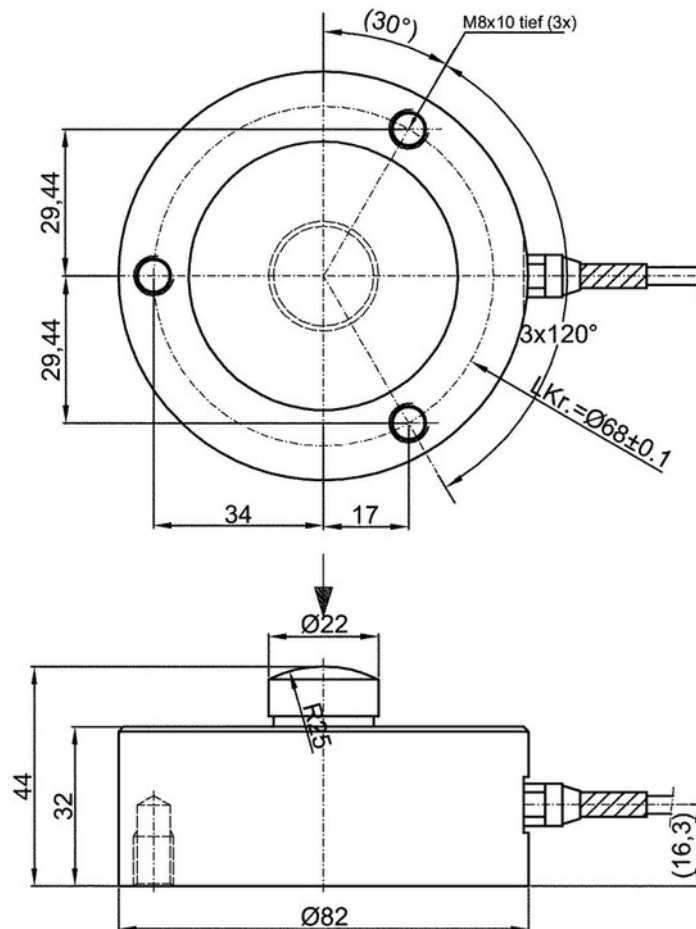


Series KMB82 / KTB82

- Capacity from 0 ... 5kN to 0 ... 100kN
- Calibration in compression
- Optionally loadcell only (KMB82), or with integrated amplifier (KTB82)
- Loadcell in steel
- Protection class IP66



Dimensional Drawing



Series KMB82 / KTB82

Technical Data	KMB82	KTB82
Capacity (0 to ...)	5; 10; 20; 50; 100 kN	
Operating Overload	120%F.S.	
Safe Overload	150%F.S.	
Ultimate Overload	> 200%F.S.	
Rated Output	2 mV/V	-
Rated Output Tolerance	10%F.S.	-
Zero Balance	2%F.S.	1%F.S.**
Non-Linearity	0,08%F.S.	
Hysteresis	0,08%F.S.	
Creep	0,05%F.S.	
Total Error *	0,2%F.S.	
Non-Repeatability	0,05%F.S.	
Temp.Effect on Zero	0,02%F.S./10K	
Temp.Effect on Output	0,02%F.S./10K	
Legend:	*) = Hysteresis included **) Electronic version 2410: no signal change < 1% F.S. (for analog signal only, digital signal without limitation) All above values in %F.S. < = ± values	
	Calibration protocol included	

Mechanical Data	
Measuring Method	Foil Strain Gage Full Bridge
Material Loadcell	stainless steel

Ambient Conditions	
Compensated Temperature	-10 ... +40° C
Operating Temperature	-20 ... +60° C
Protection Class	IP66

Electrical Data	KMB82	KTB82
Input Impedance	750 ± 30 Ω	-
Output Impedance	700 ± 4 Ω	-
Insulation	> 2000 Ω	> 2000 Ω
Recommended Excitation	10 VDC typ., 15 VDC max.	24 VDC ± 20%
Cable Size	4-wire shielded, 2m	8-wire shielded, 2m

Series KMB82 / KTB82

Signal Versions

	Supply	Signal
0000 without amplifier	10 V	20 mV \pm 20%
2410 built in amplifier	24 V	0 ... 10 V
2442 built in amplifier	24 V	4 ... 20 mA

Electrical Connection	KMB82		KTB82	
Adernfarben	0000		2410 / 2442	
	black	Excitation -	white	Excitation -
	red	Excitation +	brown	Excitation +
	green	Signal +	green	Signal analog
	white	Signal -	yellow	Tx
	Shield	On request shield on housing	grey	Rx
			pink	GW 1
			blue	GW 2
			red	Tara
			Shield	On request shield on housing

The specifications and information in this datasheet cannot consider all special demands that are caused by the application. Because of this, they are no general description of the properties of the product.

24.05.2016 specifications are subject to change without notice.

Order Code

Series	KMB82				
	KTB82				
Capacity		5kN			
		10kN			
		20kN			
		50kN			
		100kN			
Connection			K		
Amplifier				0000 (KMB82)	
				2410 (KTB82)	
				2442 (KTB82)*	
Force Direction					D (KTB82)
					Z (KTB82)*

Accessories:

External Amplifier

- IMA2-DMS

(*) = on request available for projects

Tare - Standard function for all models with integrated amplifier

Tare function enables a reset of output signal (digital or analog) back to zero signal of calibration.

Procedure: Red cable wire has to be connected to ground (GND).

Example: KTB52 K 10KN 2442 D (i.e. 4mA = 0N, 20mA = 10KN)

Sensor is loaded with 2,5KN, which means output signal is 8mA.

Connecting red cable wire to ground, resets output signal back to 4mA

