

# Data sheet for Load Cells

Shear Beam with Electronics

Series KT701



- Compact shear beam with electronics
- Output 0..10V, 4..20 mA @24 VSUP
- Force transmission via M5-thread
- Strain gauge
- Aluminium alloy

Series KT701 force sensors are double bending beam sensors and characterized by its tight shape and its easy way of fastening. It could be fixed with 2 screws at any flat and stable ground. Force application is vertical to sensor-axis.

## Data Load Cell

Rated force	200N, 500N, 1000N
Rated characteristic value 2410 / 2442	10 V / 20 mA @ rated force
Relative error of characteristic value	≤ 1 % of rated output
Relative repeatability error	≤ 0,05 % of rated output
Relative reversibility error	≤ 0,05 % of rated output
Relative linearity error	≤ 0,2 % of rated output
Reference straight line	≤ 0,05 % of rated output
Zero signal when removed 2410 / 2442	0 V / 4 mA
Relative deviation of zero signal	≤ 3 % of rated output
Insulation resistance	≥ 5 GΩ @ 50 V DC
Maximum operating force	≤ 150 % of rated force
Rated range of excitation voltage	24 V DC
Operating range of excitation voltage	10..36 V DC
Rated temperature range	0 °C .. +70 °C
Operating temperature range	0 °C .. +55 °C
Protection	IP40
Temperature effect on characteristic value	≤ 0,15 % of rated output / 10 K
Temperature effect on zero signal	≤ 0,1 % of rated output / 10 K
Creep under load	≤ 0,05 % of rated output
Cable dimension	4xAWG26; jacket Ø4,6 mm; screened
Cable length from body	ca. 1,75 m
Body material	Aluminium alloy
Mass	ca. 180 g

Terms according to guideline VDI / VDE / DKD 2638

# Data sheet for Load Cells



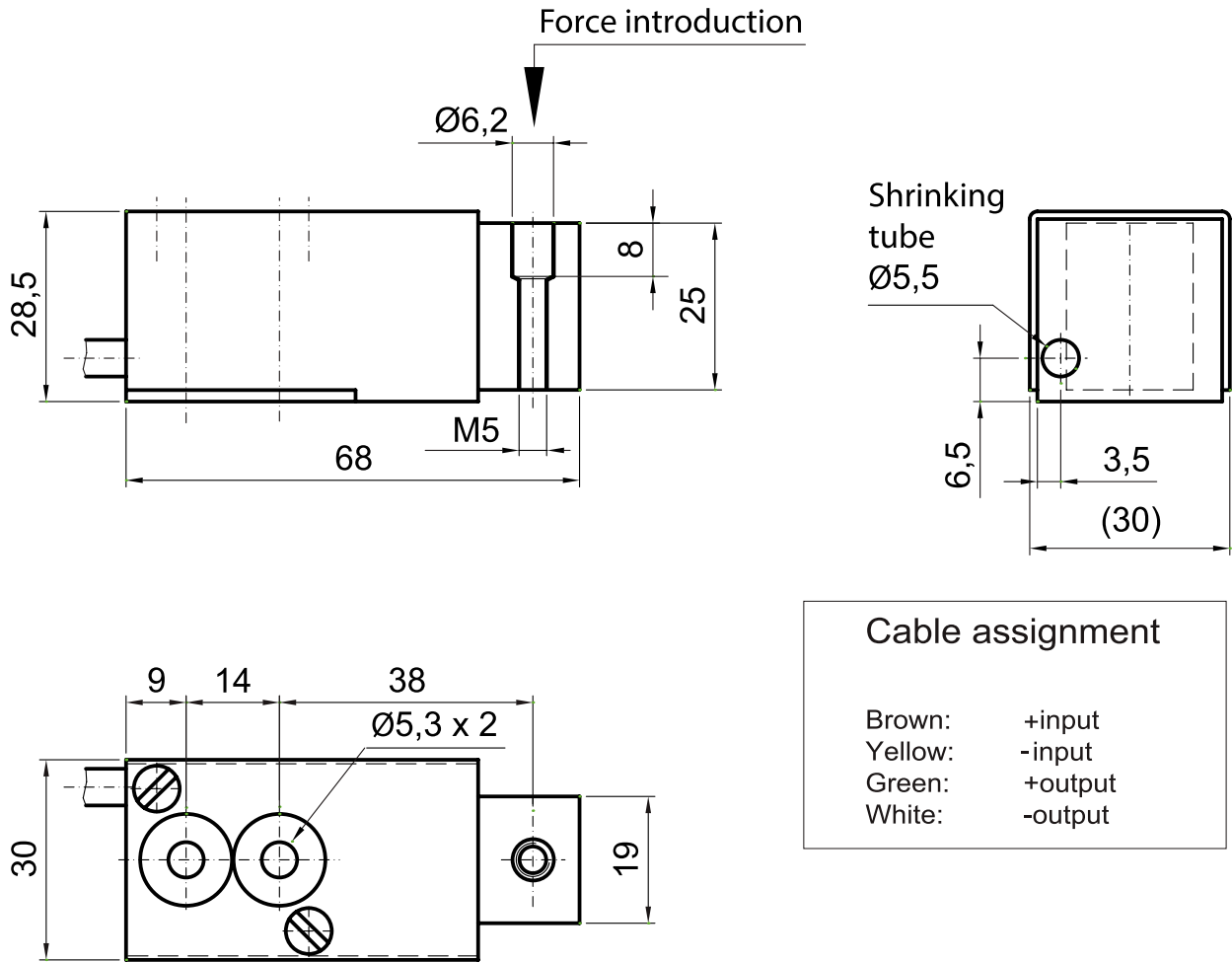
Shear Beam with Electronics

Series KT701

## Order code

Description	Selection: standard=black/bold, possible options=grey/cursive				
<b>Series:</b>	<b>KT701</b>				
<b>Connecting cable:</b> <b>Cable length 1,75 m</b>		<b>K</b>			
<b>Rated force:</b> 200 N 500 N 1 kN			<b>200N</b> <b>500N</b> <b>1kN</b>		
<b>Electronics:</b> 24 VSUP 0..10 V Output 24 VSUP 4..20 mA Output				<b>2410</b> <b>2442</b>	
<b>Direction of force:</b> Tension Pressure					<b>Z</b> <b>D</b>

Technical Drawing



Cable assignment

- Brown: +input
- Yellow: -input
- Green: +output
- White: -output

Dimensions in mm