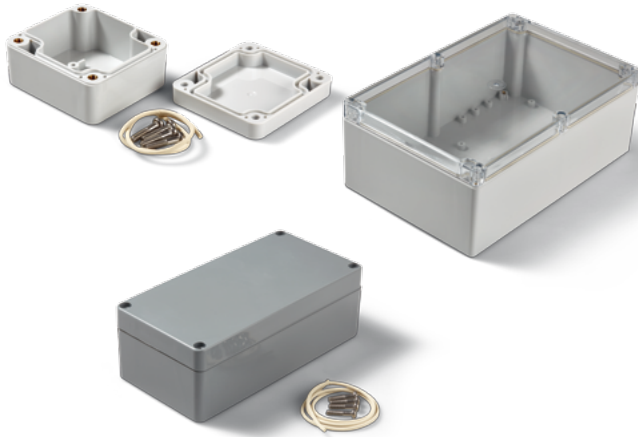


Data sheet for Plastic Housing

Electronics plastic housing

Series GK



The plastic housings of the GK series are available in numerous housing sizes. Thanks to the tongue groove system and the neoprene seal, protection class IP65 is achieved. The plastic housings are available in two material versions. Made of temperature-resistant polycarbonate -40..+125°C or impact resistant ABS -30..+80°C. The plastic housing is available in the colours light or dark grey as well as with a transparent housing cover.

There are guide slots for vertical mounting of printed circuit boards and threads for horizontal mounting inside the housing. The holes for wall mounting as well as screw channels for the cover fastening are located outside the interior. To fastening the lid there are antimagnetic screws M4 made of stainless steel included.

- Protection class IP65
- Made of temperature-resistant polycarbonate -40..+ 125°C
- Or impact-resistant ABS -30..+ 80°C
- Also with transparent housing cover
- Numerous housing sizes

Data Housing

Material	Polycarbonate	ABS
Colour	Light grey	Dark grey
Sealing	Neoprene	
Protection class	IP65	
Operating temperature range	-40°C...+125°C	-30°C...+80°C
Mounting parts	Included in delivery screws stainless steel, antimagnetic M4	

Housing kind	External Dimensions W x H x L
GK 11	58 x 35 x 64 mm
GK 21	65 x 40 x 115 mm
GK 31	65 x 55 x 115 mm
GK 41	90 x 55 x 115 mm
GK 91	80 x 55 x 195 mm
GK 111	185 x 95 x 265 mm
GK 131	80 x 55 x 82 mm
GK 141	80 x 55 x 160 mm
GK 171	120 x 60 x 120 mm
GK 201	160 x 90 x 160 mm
GK 211	160 x 90 x 240 mm
GK 221	160 x 120 x 240 mm
GK 231	230 x 86 x 300 mm
GK 241	230 x 111 x 300 mm
GK 251	200 x 150 x 360 mm

Data sheet for Plastic Housing

Electronics plastic housing

Series GK

Order Code

Description

Selection: standard=black/bold, possible options=grey/cursive

Series:

GK

Housing external dimensions W x H x L:

58 x 35 x 64 mm	11
65 x 40 x 115 mm	21
65 x 55 x 115 mm	31
90 x 55 x 115 mm	41
80 x 55 x 195 mm	91
185 x 95 x 265 mm	111
80 x 55 x 82 mm	131
80 x 55 x 160 mm	141
120 x 60 x 120 mm	171
160 x 90 x 160 mm	201
160 x 90 x 240 mm	211
160 x 120 x 240 mm	221
230 x 86 x 300 mm	231
230 x 11 x 300 mm	241
200 x 150 x 360 mm	251

Housing colour:

Dark grey

Light grey

D
G

Cover colour:

Like housing

Transparent (only for housing colour light grey)

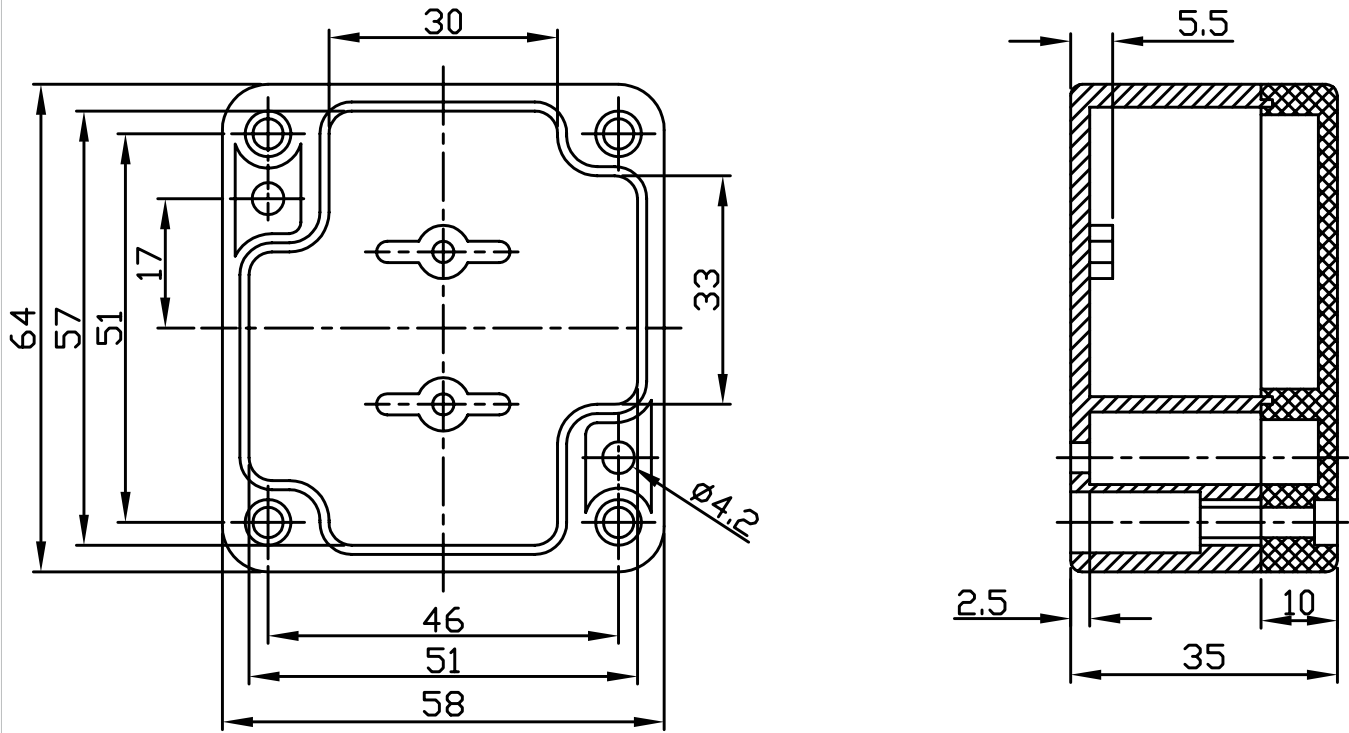
-
T

Data sheet for Plastic Housing

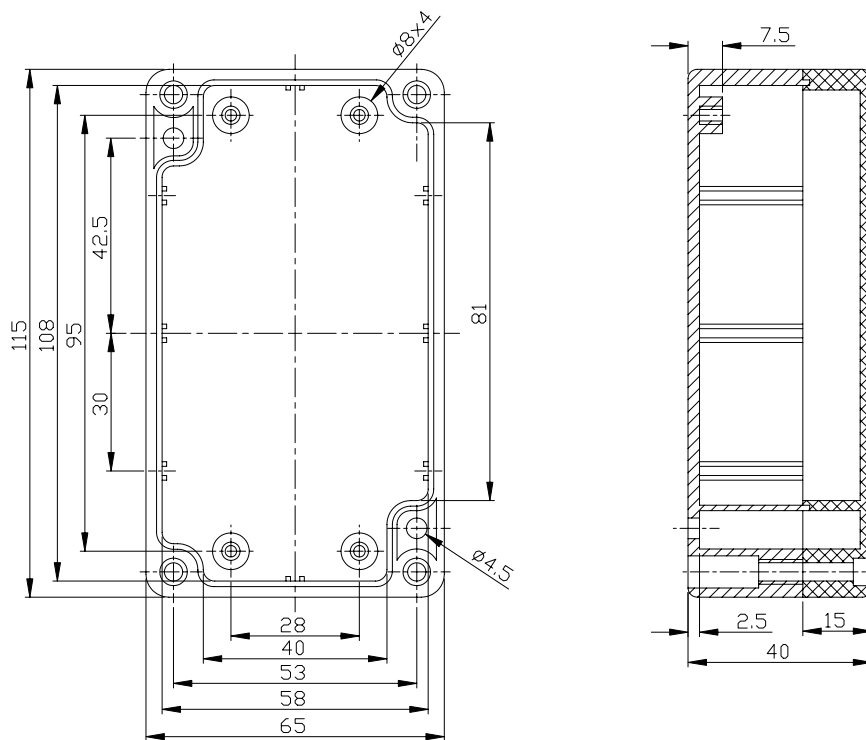
Electronics plastic housing

Series GK

Drawing GK 11



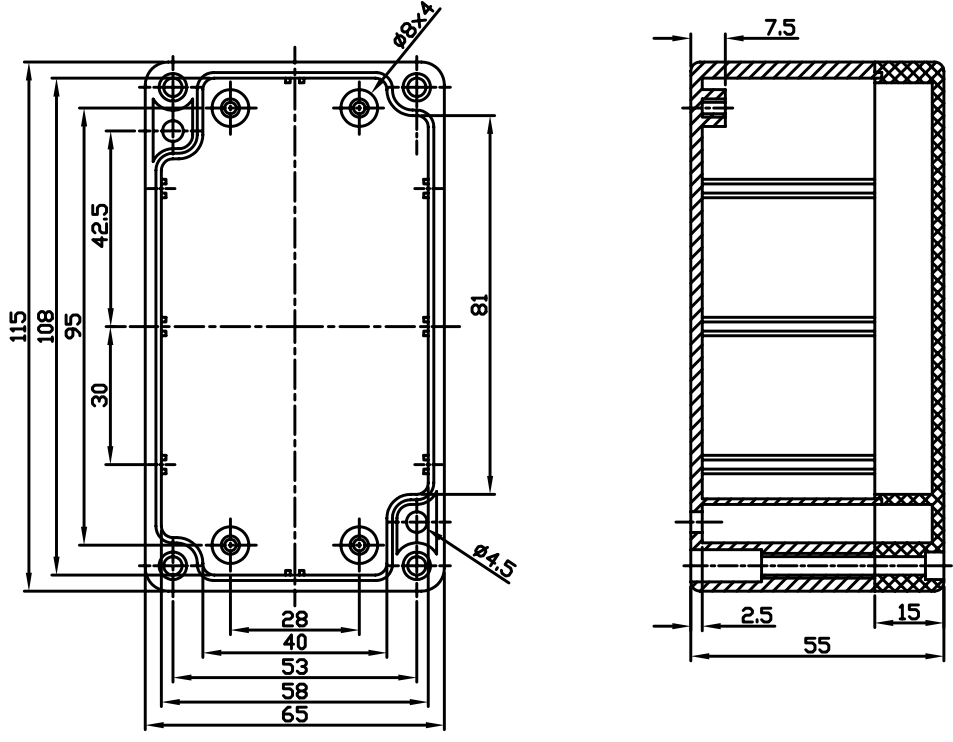
Drawing GK 21



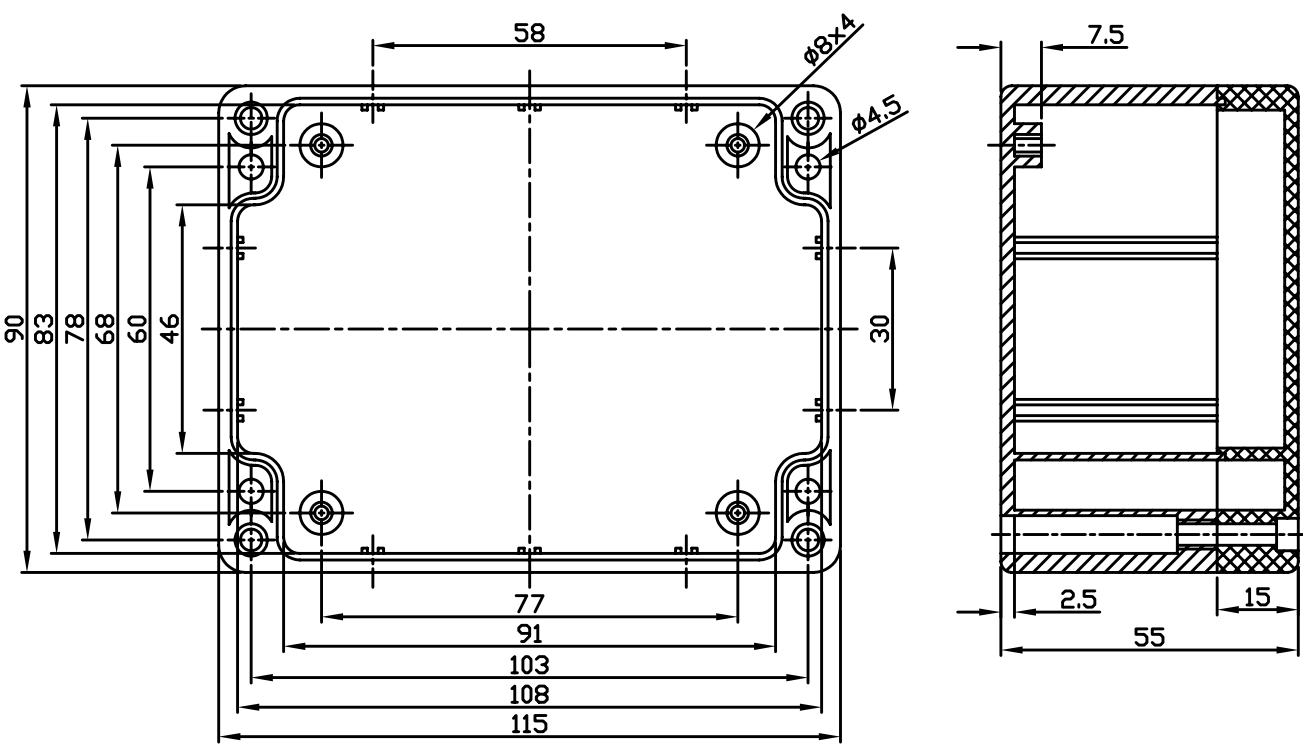
Data sheet for Plastic Housing

Electronics plastic housing Series GK

Drawing GK 31



Drawing GK 42

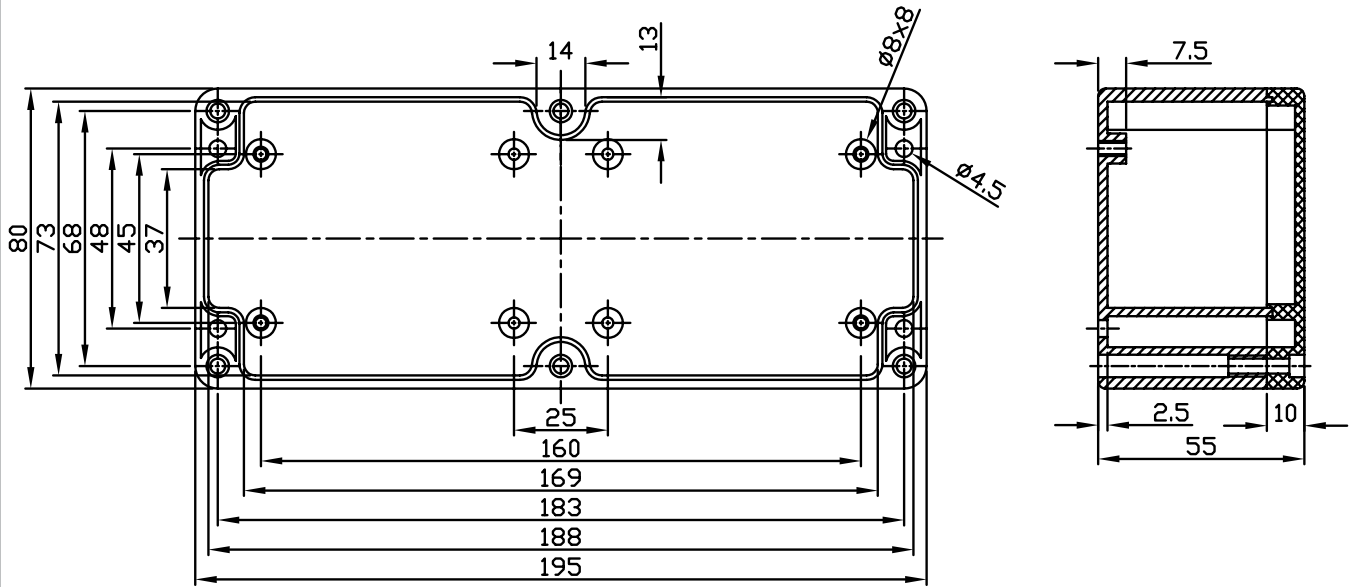


Data sheet for Plastic Housing

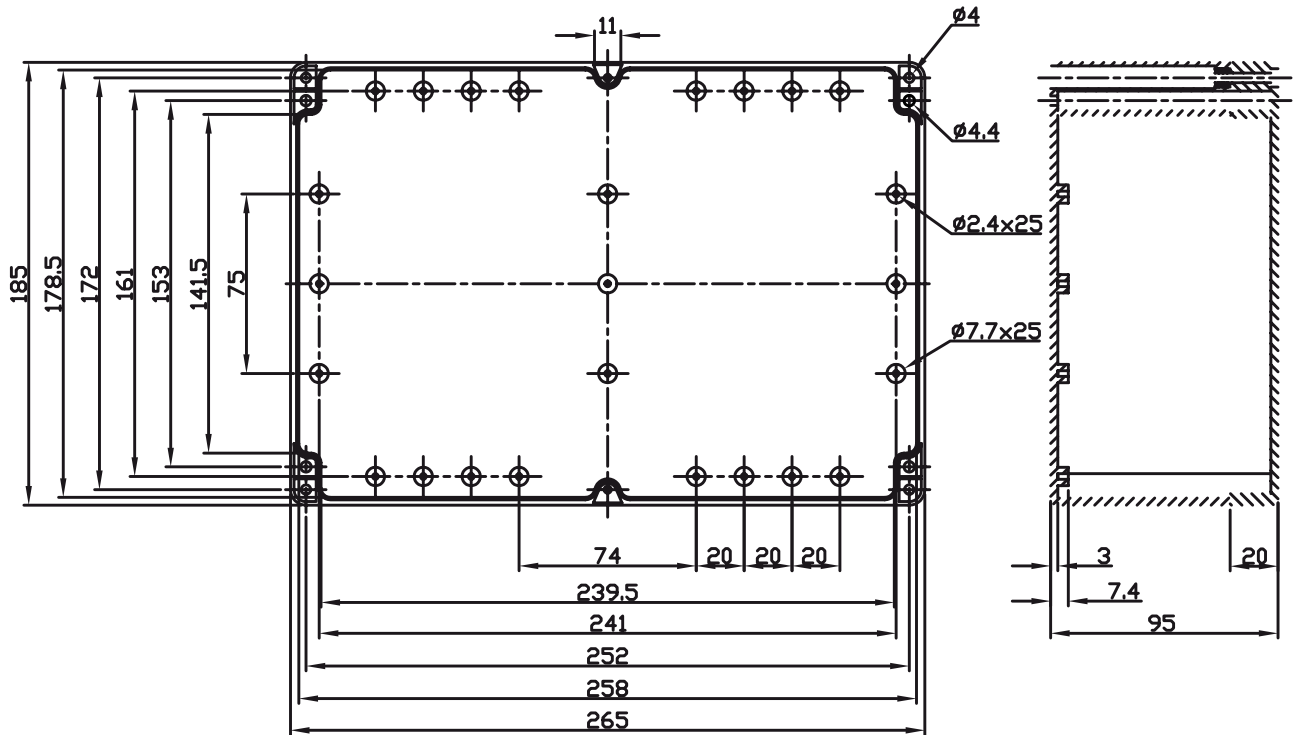
Electronics plastic housing

Series GK

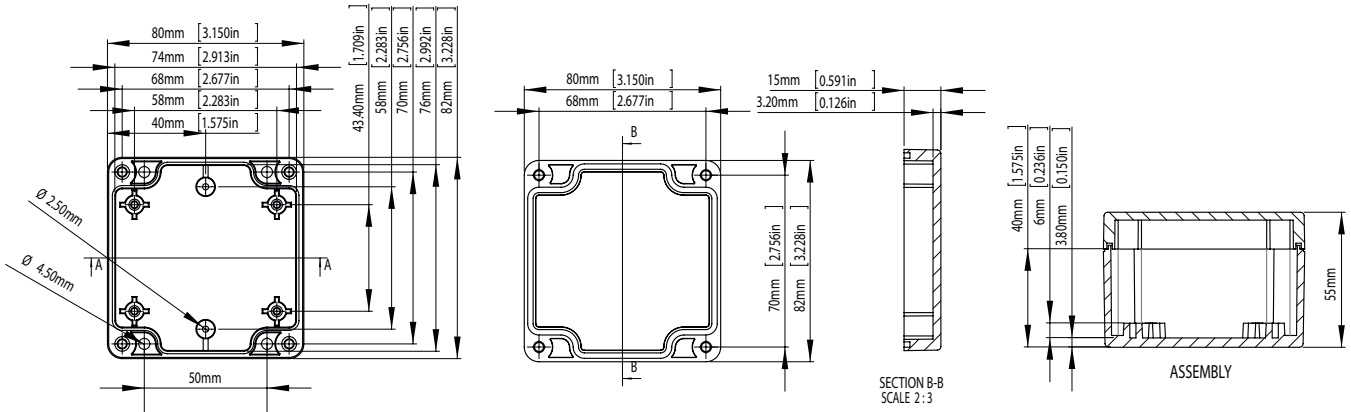
Drawing GK 91



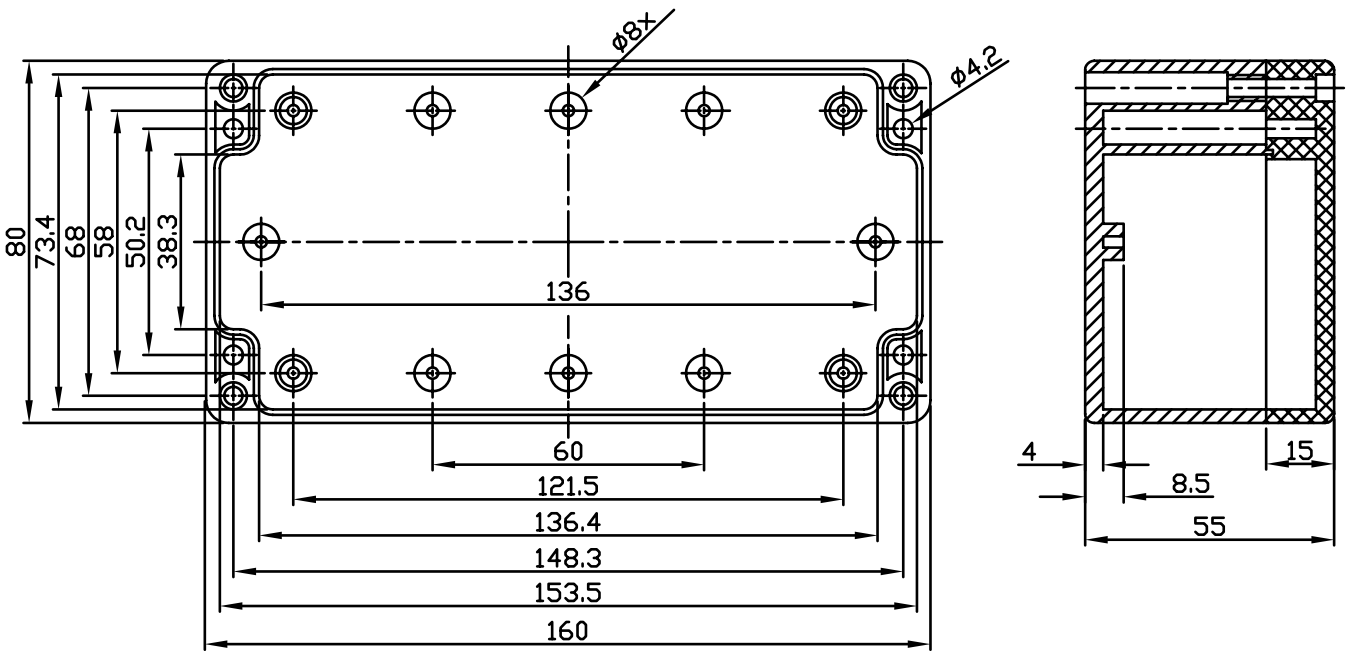
Drawing GK 111



Drawing GK 131



Drawing GK 141

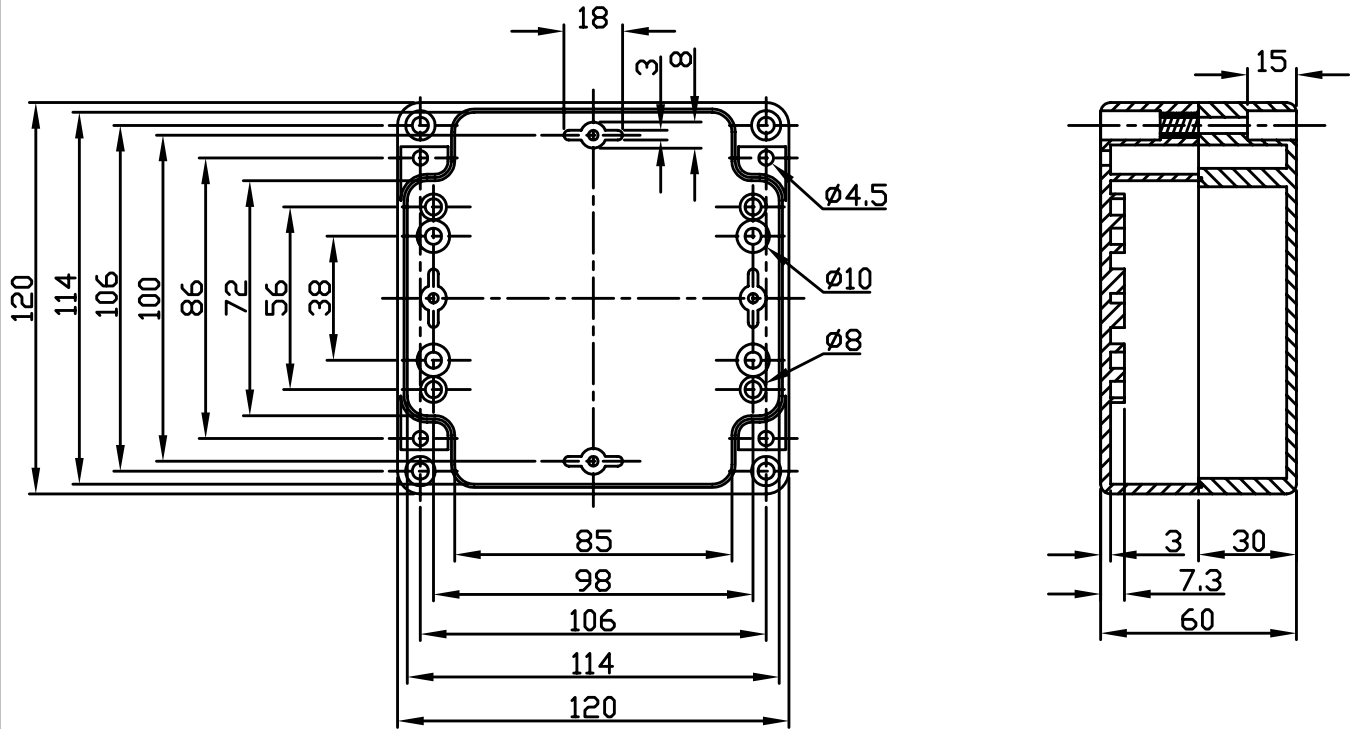


Data sheet for Plastic Housing

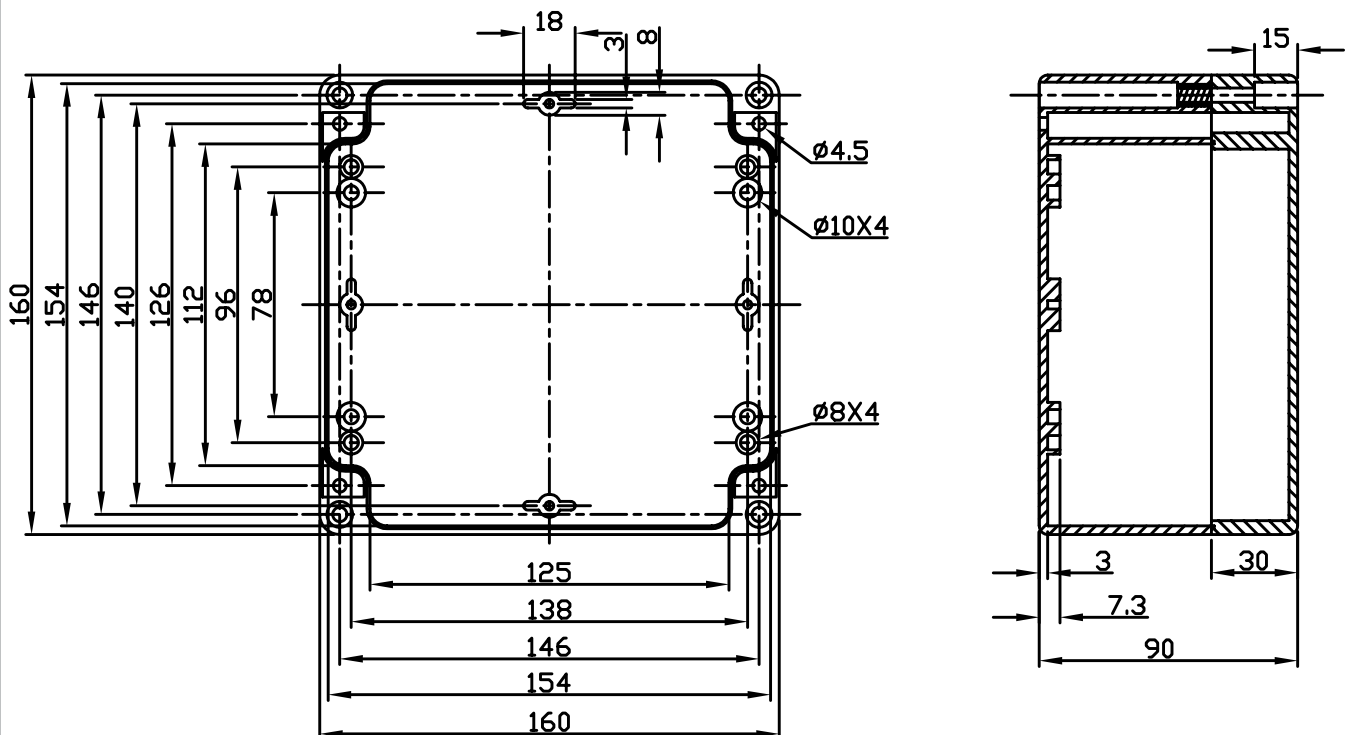
Electronics plastic housing

Series GK

Drawing GK 171



Drawing GK 201

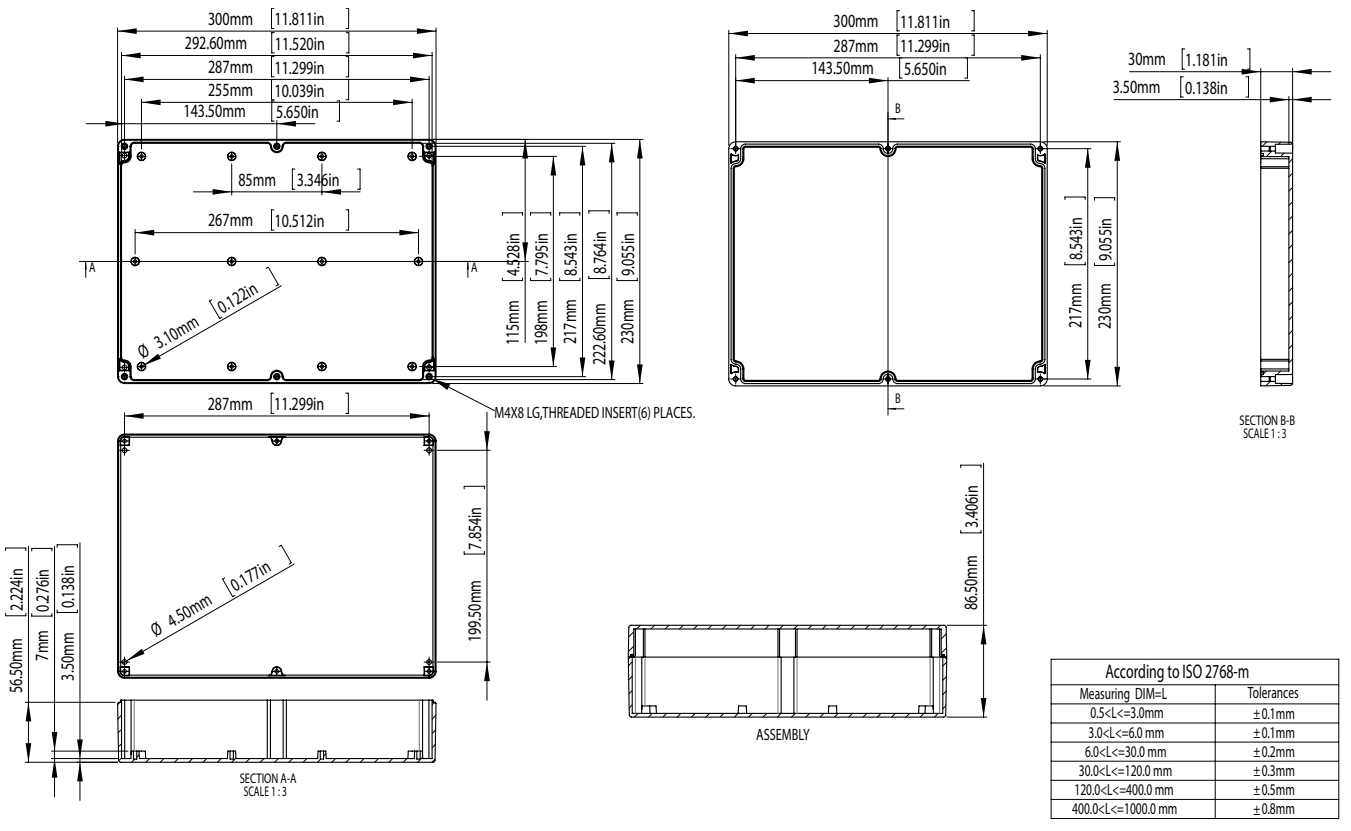


Data sheet for Plastic Housing

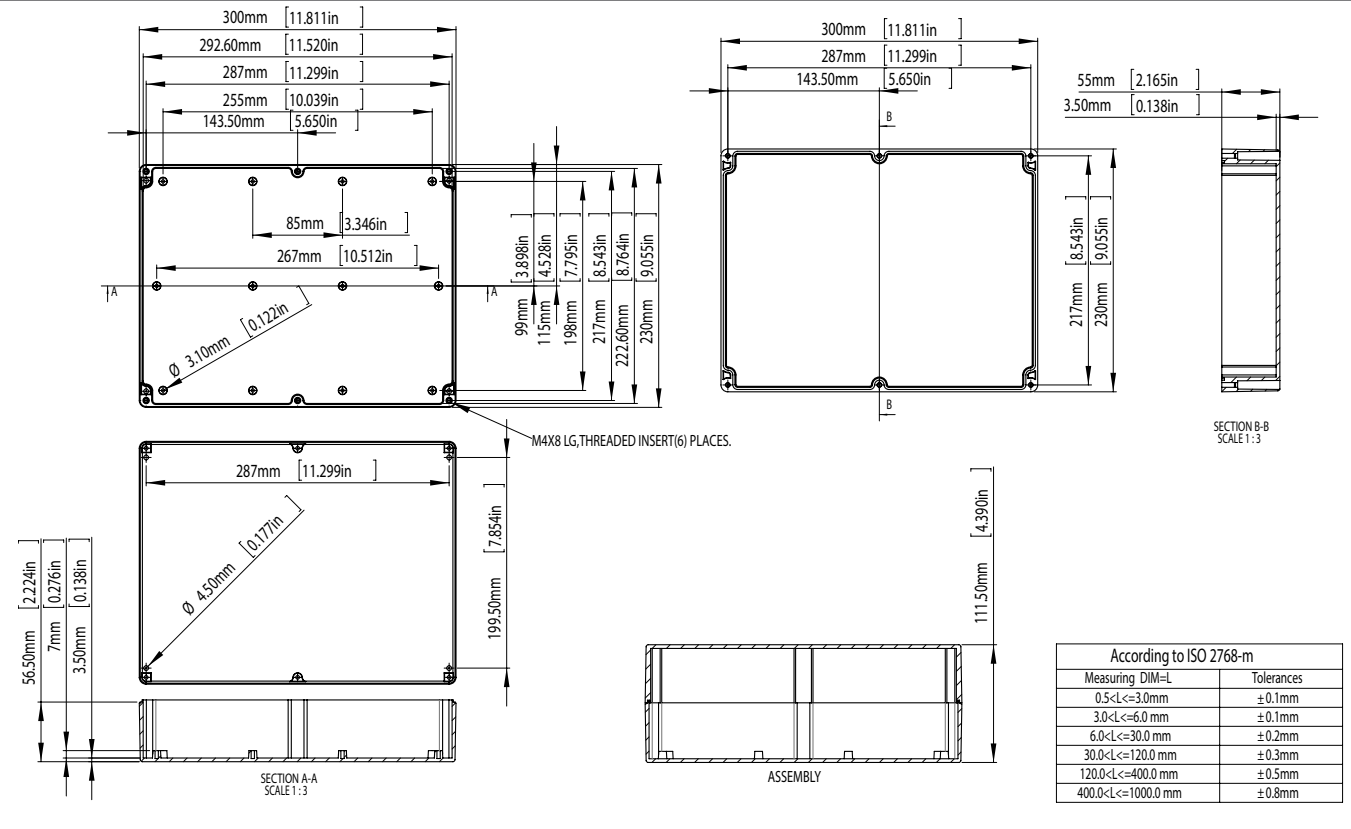
Electronics plastic housing

Series GK

Drawing GK 231



Drawing GK 241



Data sheet for Plastic Housing

Electronics plastic housing

Series GK

Drawing GK 251

