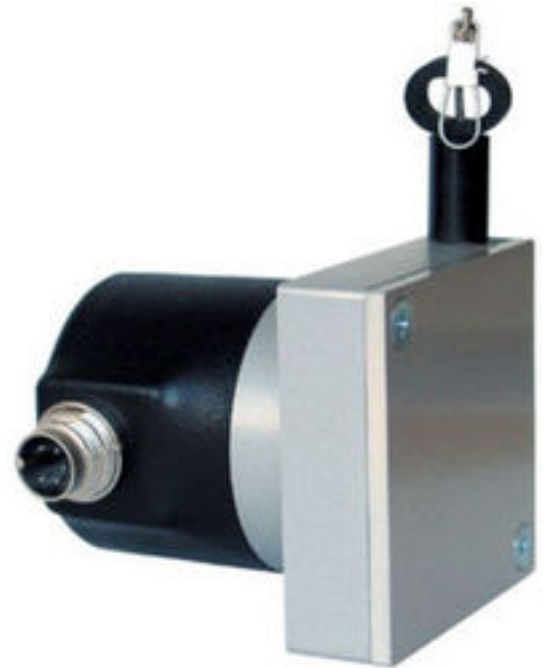
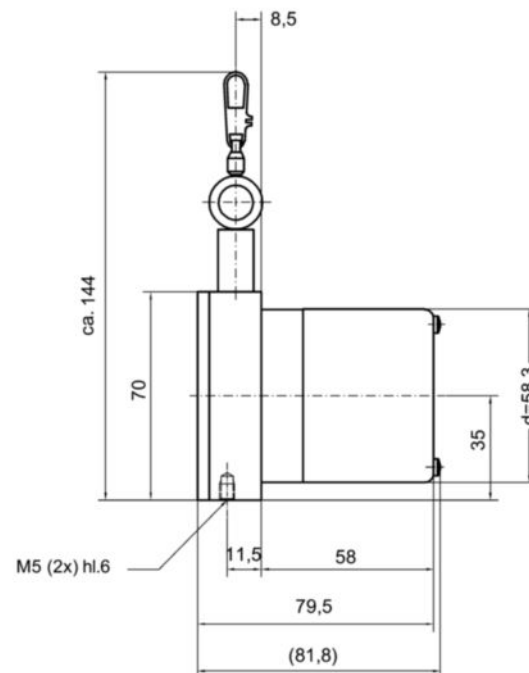
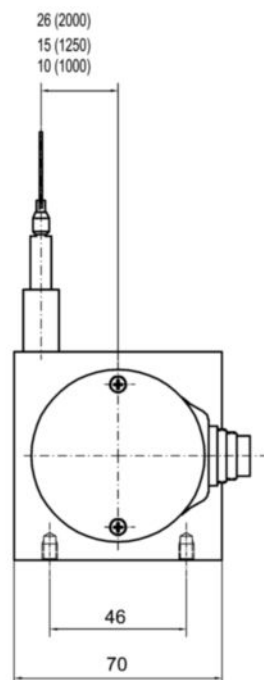


## Series S501D - Wire Sensor with Encoder

- Strokes 1000, 1250, 2000 mm
- With Encoder
- Solid Housing of Anodized Aluminium
- Protection Class IP65



## Drawing



# Series S501D - Wire Sensor with Encoder

## Electrical Data

Electrical Travel	1000, 1250, 2000 mm
Encoder	Series SP
Resolution	2,5; 4; 5; 8; 10 pulses/mm
Channels	A + B (optional with index)
Power Supply	5 V DC
Output Signal	5 V

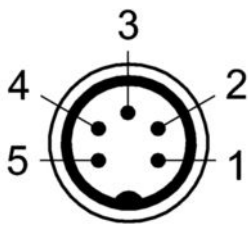
## Mechanical Data

Housing Material	Aluminium
Wire Material	Steel, PA-coated
Maximum Tightness	4 N
Minimum Pull-In Force	2 N
Weight	≈ 460 g

## Ambient Conditions

Operating Temperature	0 ... +60 °C
Storage Temperature	-20 ... +70 °C
Relative Humidity	90% non-condensing
Protection Class	IP65
Shock	2 g / 11 ms
Vibration	0 Hz - 60 Hz / 2 g

## Pin Configuration



PIN 1	GND
PIN 2	Index (BZ only)
PIN 3	Channel A
PIN 4	Supply
PIN 5	Channel B
Shield	on connector / housing

## Accessories

- Plug, straight : Type SW61, 5-pole, IP 67 (Part No. 110906)

## Series S501D - Wire Sensor with Encoder

Order Code				
Series	Stroke	Output	Channel	Output Signal
S501D	1000	5, 10 pulses/mm	B	TTL
	1250	4, 8 pulses/mm	BZ	
	2000	2,5; 5 pulses/mm		
Example	<b>S501D 1250 4 B TTL</b>			

The specifications and information in this datasheet cannot consider all special demands that are caused by the application. Because of this, they are no general description of the properties of the product.  
October 2008. All specifications are subject to change without notice.