

Data Sheet for Angle Sensors

Hall-Effect Single-Turn Rotary Encoder with Analogue Output

Series MAB12AH



- Only 12.7 mm housing diameter
- Suitable for shaft diameters from 2 mm..6.35 mm
- Mounting ring and push on magnet are part of delivery
- Supply voltage 5 VDC
- Output signal analogue absolute or PWM
- Integrated MOLEX connector

Extremely compact Hall Kit encoder supplied as a complete, ready-to-install package. The package consists of the encoder, a mounting ring and the matching magnet holder and magnet for the shaft.

The MOLEX connector makes it easy to connect the encoder to the evaluation unit. This improves handling during installation and service.

Electrical Data	Analogue	PWM	
Effective electrical angle of rotation ^{1.)}	360°		
Independent linearity (best straight line) ^{1.)}	± 0.14 % @ 25 °C		
Output signal	0...5 V analogue	5 V PWM	
Resolution	10 Bit	10 Bit	12 Bit
Update rate	0.38 ms	1 ms	4.1 ms
Supply voltage	5 V ±10 %		
Power consumption (no load)	≤ 20 mA		
Output load	≥ 10 kOhm		

Mechanical and environmental data, Miscellaneous

Mechanical angle of rotation ^{1.)}	360° without stop
Lifetime ^{2.)}	Mechanically unlimited
Max. operational speed	10.000 rev./min.
Operating temperature range	-40..+125 °C
Storage temperature range	-40..+125 °C
Vibration (IEC 68-2-6, Test Fc)	(5 Hz to 2 kHz) 20 g
Housing diameter	12.7 mm
Housing depth	13.9 mm
Shaft diameter	2..6.35 mm
Shaft type	Push on magnet for solid shafts

Data Sheet for Angle Sensors

Hall-Effect Single-Turn Rotary Encoder with Analogue Output

Series MAB12AH

Mechanical and Environmental Data, Miscellaneous

Connection type	Molex plug on sensor: 53398-0371
Connection position	Axial
Sensor mounting	Mounting ring
Mass	Magnet + magnet holder + kit encoder + mounting ring: app. 20 g
Included in delivery	Kit Encoder, mounting ring, push on magnet and magnet holder Not included in delivery: 2 pcs. lens head screws 4-40 1/4" for mounting of the mounting ring
Fastening torque of the mounting screws for mounting ring	0.67 Nm
Material mounting ring	Plastic
Material housing	Plastic
Material magnet holder	Metal

Immunity

ESD	Human Body Model MIL-STD-883R, Method 3015.7 ± 2 kV
-----	--

1.) According IEC 60393

2.) Determined by climatic conditions according to IEC 68-1, para. 5.3.1 without load collectives

Data Sheet for Angle Sensors

Hall-Effect Single-Turn Rotary Encoder with Analogue Output

Series MAB12AH

Order Code

Description	Selection: standard=black/bold , possible options=grey/italic					
Series:	MAB12AH					
Shaft diameter:						
Option Ø2 mm		2				
Option Ø2.3 mm		2,3				
Option Ø2.5 mm		2,5				
Option Ø3 mm		3				
Option Ø3.17 mm		3,17				
Option Ø4 mm		4				
Option Ø5 mm		5				
Ø6 mm		6				
Option Ø6.35 mm		6,35				
Resolution:						
Supply voltage / Output signal:				0505		
Standard: VSUP=5 V ±10 % / OUT=0...5 V						
(ratiometric resolution 10Bit)						
Option: 1 VSUP=5 V ±10 % / PWM, Resolution 12 Bit				12 05PWM		
Option: 2 VSUP=5 V ±10 % / PWM, Resolution 10 Bit				10 05PWM		
Sense of rotation:						
Standard: CW (output signal (analog) or duty cycle (PWM) increases clockwise)					CW	
Electrical angle:						
Standard: 360°						360°
Electrical connection:						
In sensor housing integrated Molex connector						K

Order example MAB12AH:

Requirement:

Shaft diameter 6.00 mm, VSUP=5 V, output signal OUT=0..5 V (ratiometric), sense of rotation CW, effective electrical angle 360°, electrical connection: integrated connector in sensor housing

Example for order code: MAB12AH 6 0505 CW360 K

For higher quantities or on-going demand, additional options are available as described below

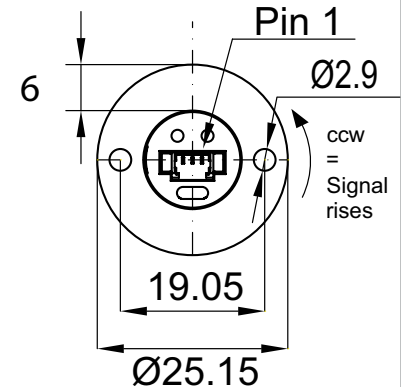
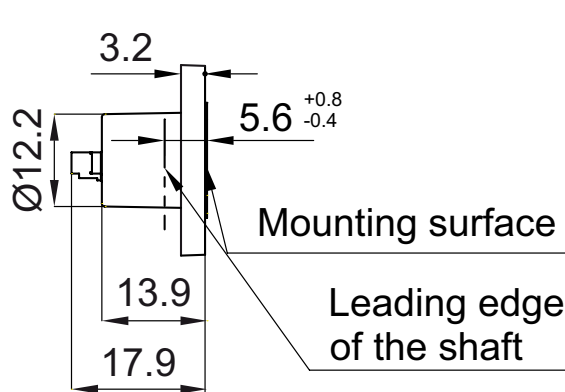
- Special connector and cable design

Data Sheet for Angle Sensors

Hall-Effect Single-Turn Rotary Encoder with Analogue Output

Series MAB12AH

Drawing



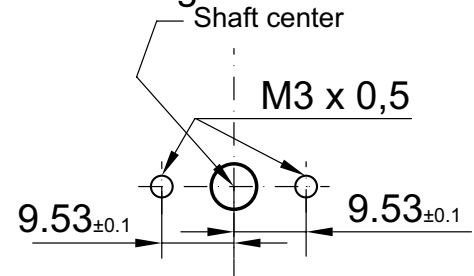
Dimensions in mm

Terminal lay-out and connector

Pin 1 +5VDC
Pin 2 Analog Out
Pin 3 GND

Connector in the sensor: Molex # 53398-0371
Counter connector housing: Molex # 51021-0300
Crimp pins for counter conn.: Molex # 50079-8100
Crimp tools: Molex # 50079

Mounting sketch



Radial mounting tolerance:
Eccentricity max. failure / 360°
< 0.25 mm approx. 0.2°
< 0.5 mm approx. 0.6°
< 0.75 mm approx. 1.2°

Please note !

That the maximum allowable axial mounting tolerances from the leading edge of the shaft to the mounting are $5.6^{+0.8/-0.4}$ mm.

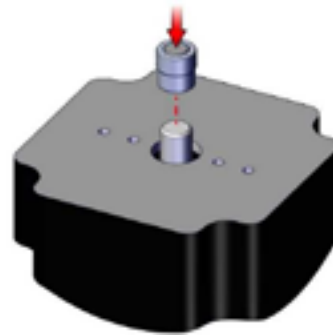
Exceeding the tolerance band will result in signal loss and malfunction of the encoder.

Mounting Instruction

ESD guidelines must be observed during transport, storage, assembly and operation.

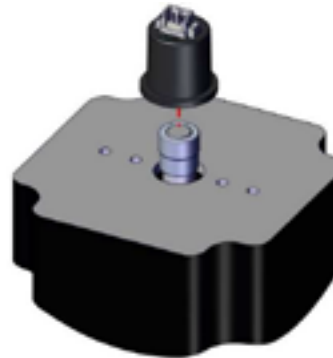
Step 1:

Slip push-on magnetic hub over shaft and firmly press down until top of shaft fills cavity of hub.



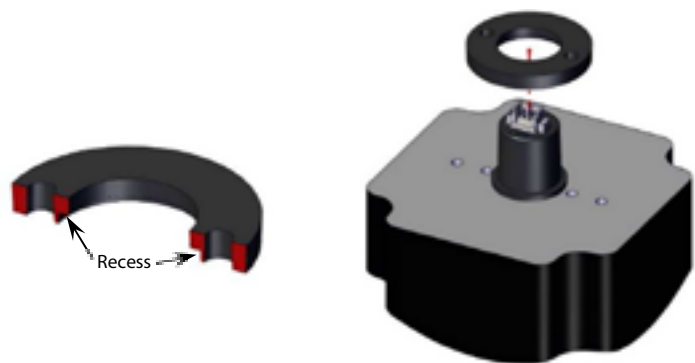
Step 2:

Place encoder body over shaft assembly so that it sits on mounting surface.



Step 3:

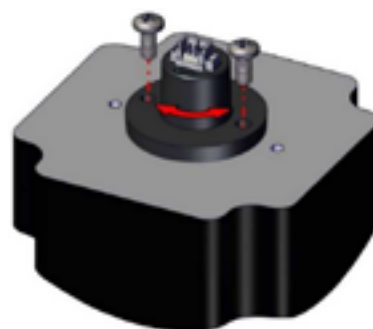
With recess in base facing towards mounting surface, place base over encoder body so that flange of body fits into recess of base.



Step 4:

Secure base to mounting surface with two screws (#4 recommended, sold separately).

Zero positioning: Prior to fully tightening screws, encoder can be powered and rotated by hand to set absolute zero position, if desired.



Recommendation for mounting screws: 4-40 1/4"
Max. allowed tightening torque 0.67 Nm.