

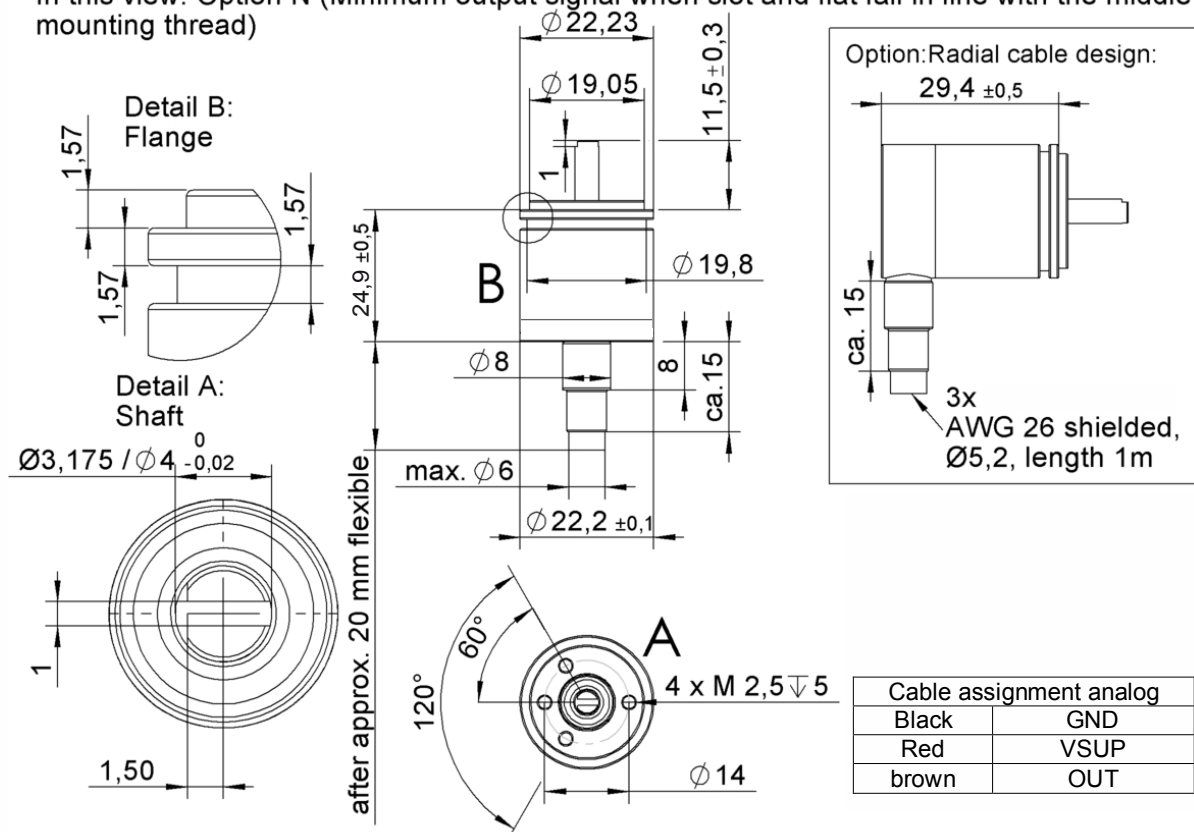
Serie MAB22A / Hall Effect Absolute Encoder

- Angle range 360° (signal characteristic configurable)
- 12 Bit resolution
- Analog output: 0-10 V, 0-5 V ratiometric
4-20 mA, 0-20 mA
- Supply voltage: 5 V , 24 V, 9-30 V
- Housing \varnothing 22 mm
- High lifetime by precision ball bearings



Drawing

In this view: Option N (Minimum output signal when slot and flat fall in line with the middle mounting thread)



Series MAB22A / Hall Effect Absolute Encoder

Electrical Data	Voltage Output		Current Output
Electrical angle	20°...360° (Standard 360°)		
Independent Linearity Tolerance	± 0,3%		
Resolution	12 Bit (4096 Steps)		
Update rate	0,6 ms / Option High Speed 0,2 ms		
Output Signal	0...5 V ratiometric	0...10 V	0...20 mA, 4...20 mA
Supply Voltage	5 V ±10 %	15...30 V	9...30 V
Supply Current (without load)	< 15 mA / < 20 mA (HS)		
Signal Load	≥ 5k Ohm	≤500 Ohm	

Mechanical Data

Max. mechanical rotation speed	6.000 rpm
--------------------------------	-----------

Other Data

Protection class	IP65
Operating Temperature	-30 ... +80° C
Storage Temperature	-40 ... +80° C
Bearing	2 precision ball bearings
Material Housing	Chromed Aluminium
Material Shaft	Stainless steel
Weight	≈ 25 g
Mounting Parts	3 clamps SFN2, incl. screws M3x0,5 Please order separately

Series MAB22A / Hall Effect Absolute Encoder

Order Description and Options

Series MAB22A with single electronics	MAB22A							
Shaft diameter								
Ø 4mm (standard)		4						
Ø 3,175mm (1/8")		3,18 (*)						
Update Rate/ Supply voltage/ Output signal								
High speed / 5 V / 0...5 V				12HS0505 (*)				
High speed / 24 V (9...30V) / 0...5V				12HS2405 (*)				
High speed / 24 V (15...30V) / 0...10V (standard)				12HS2410				
Standard speed / 24 V (9...30V) / 4...20 mA (standard)				12 2442				
Standard speed / 24 V (9...30V) / 0...20 mA				12 2420 (*)				
Sense of rotation, angle								
Signal clockwise rising, 360° (standard)				-				
Signal counterclockwise rising, 360°				CCW360 (*)				
User defined sense of rotation, angle				C(C)Wxxx (*)				
Zero point alignment								
					N (*)			
Other shaft length [mm]								
						Axx (*)		
Cable output								
Axial - 1m (standard)							-	
Axial [m]							CVxx(*)	
Radial [m]							CVRxx(*)	
(*) = On request available for projects								

Our speciality are custom solutions for reasonable prices, even for small series

On serial demand we offer: Special angles and shafts, mounting of gear wheels and other mechanical parts, cable and connector assemblies. Please ask us.

Errors and specifications subject to change without notice.

17.05.2018