

Series MAB22H / Hall Effect Absolute Encoder

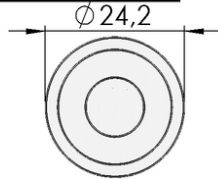
- Synchronous Serial Interface (SSI)
- Angle range 360°
- Protection class IP67
- Wear- and frictionless by separate magnet holder
- Fine adjustment by a free rotatable clamp ring

The MAB22H is suited for applications in rough environs. It's space-saving and used for applications with a high demand on lifetime.

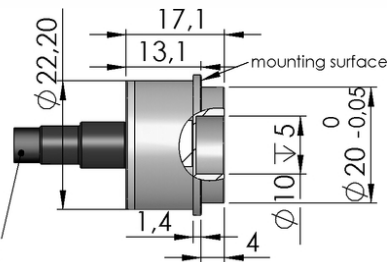


Drawing

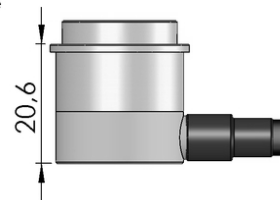
SENSOR HEAD



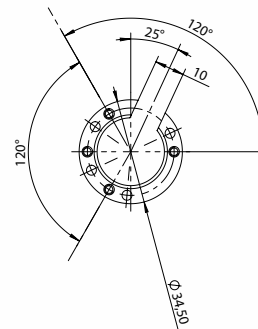
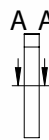
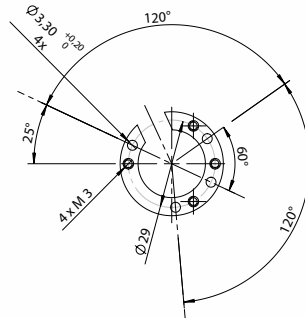
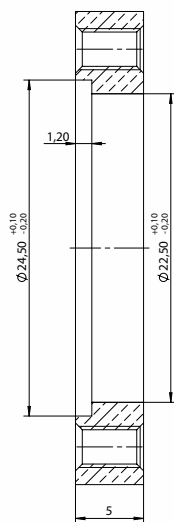
cable length $1 \pm 0,05$ m



Option radial cable

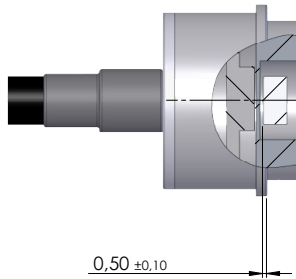
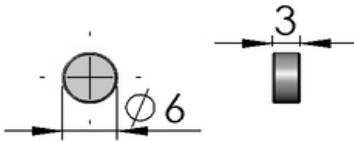


Mounting ring included in delivery:



Interface	red	black	brown	orange	Yellow	green
SSI	VSUP	GND	CLK +	CLK -	DATA +	DATA -

MAGNET
(included in delivery)
 standard sensor



Distance between magnet and mounting surface.

If the shaft is magnetical, the distance between shaft and magnet has to be ≥ 1 mm.

Electrical Data	SSI Interface
Electrical Angle	360 °
Independent linearity tolerance	$\pm 0,4$ %
Resolution	4096 steps (12 Bit)
Update rate	0,1 ms
Supply Voltage	5 VDC $\pm 10\%$ 15-30 VDC
Supply Current (no load)	< 20 mA

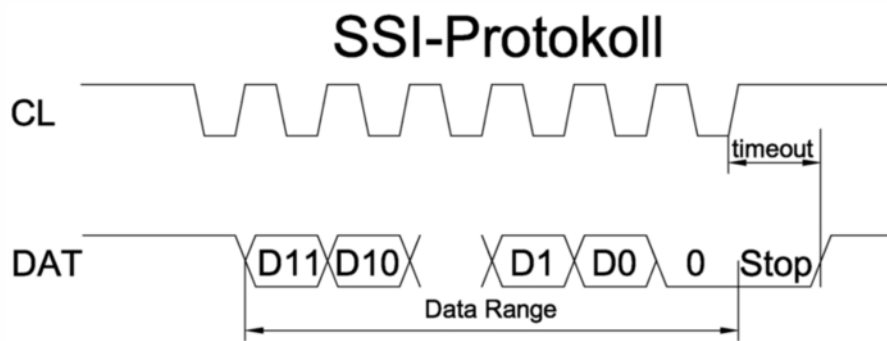
Mechanical data

Maximum rotational speed	10.000 rpm
--------------------------	------------

Other Data

Protection class	IP67
Operating temperature	-30 ... +80 °C
Storage temperature	-40 ... +80 °C
Bearing	none
Housing material	chromed aluminium
Magnet holder material	brass
Weight	approx. 35 g

Timing SSI- Interface



Please find the exact specifications of the output signals in the datasheets and application notes of iC-Haus (iC-MH): www.ichaus.de

Series MAB22H / Hall Effect Absolute Encoder

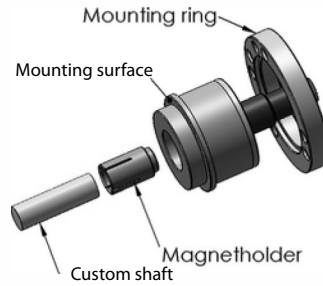
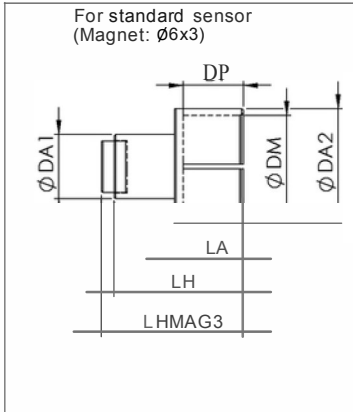
Order description and Options

Series MAB22H	MAB22H						
Resolution / Supply voltage / Output signal							
12 bit / 5 V / SSI			12 5 SSI (*)				
12 bit / 24 V / SSI			12 24 SSI				
clockwise rising signal				-			
Counterclockwise rising signal				CCW360 (*)			
Other electrical effective angle				C(C)Wxxx (*)			
<u>Cable output</u>							
Axial - 1 m							-
Axial [m]							CVxx(*)
Radial [m]							CVRxx(*)

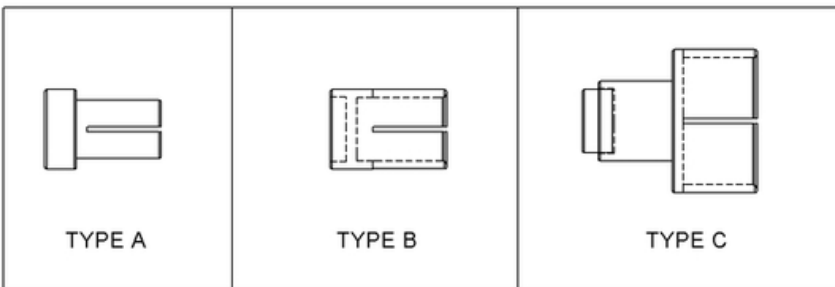
(*) = on request available for projects

For options CVxx, CVRxx: maximal allowed cable length is 1 meter.

Accessory (please order separately)



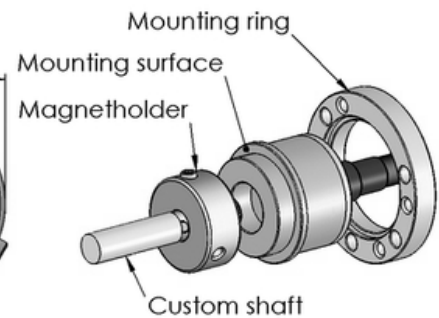
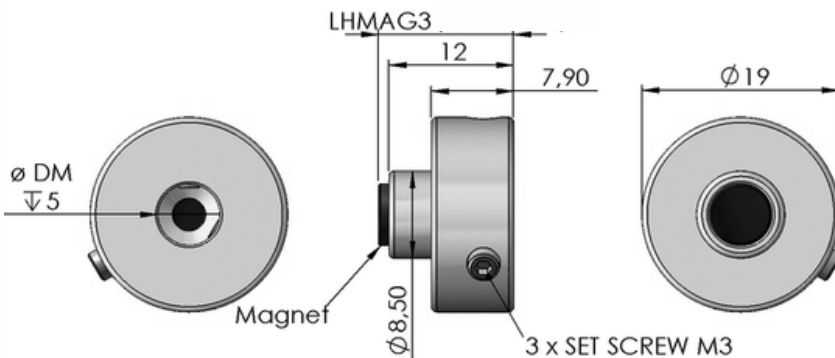
Symbol Illustration:
For information on dimensions
and geometry please refer to the
dimension drawings



Type	DM	DA1	DA2	LH	LA	DP	LHMAG3 analog standard	Shaft diameter = DM (h9)
A	3*	7,5	4,5	11	-	8,5	12,5	3 +0/-0,030
	3,175*	7,5	4,5	11	-	8,5	12,5	3,175 +0/-0,030
	4*	7,5	5,5	11	-	8,5	12,5	4 +0/-0,030
B	6	7,5	7,5	11	-	8,5	12,5	6 +0/-0,030
	6,35*	7,5	7,5	11	-	8,5	12,5	6,35 +0/-0,036
	8*	9,5	9,5	11	-	8,5	12,5	8 +0/-0,036
C	10*	11,5	11,5	11	-	8,5	12,5	10 +0/-0,036
	12*	7,5	13,5	15	8	7,0	16,5	12 +0/-0,043

(*) = on request available for projects

ACCESSORY MAGNETHOLDER WITH SET SCREWS



Symbol Illustration:
For information on dimensions
and geometry please refer to the
dimension drawings

DM	LHMAG3 standard	Shaft diameter = DM (h9)
4*	13	3 +0/-0,030
6	13	4 +0/-0,030
6,35*	13	4 +0/-0,036
8*	13	6 +0/-0,036

(*) = on request available for projects

Series MAB22H / Hall Effect Absolute Encoder

Order description Magnet Holder

Type	Shaft \varnothing	Magnet	Comment
Push on magnet holder	DM3*/3,175*/4*/6/6,35*/8*/10*/12*	MAG6x3	Standard
Magnet holder with set screws	DM3*/3,175*/4*/6/6,35*/8*/10*/12*	MAG6x3	Standard

(*) = on request available for projects

Our speciality are customs solutions, economically priced on small series.

On serial demand we offer:

Special magnet holder and other mechanical parts, assembling of cables and connectors and more. Please contact us.

Errors and specifications subject to change without notice.

6.12.2016