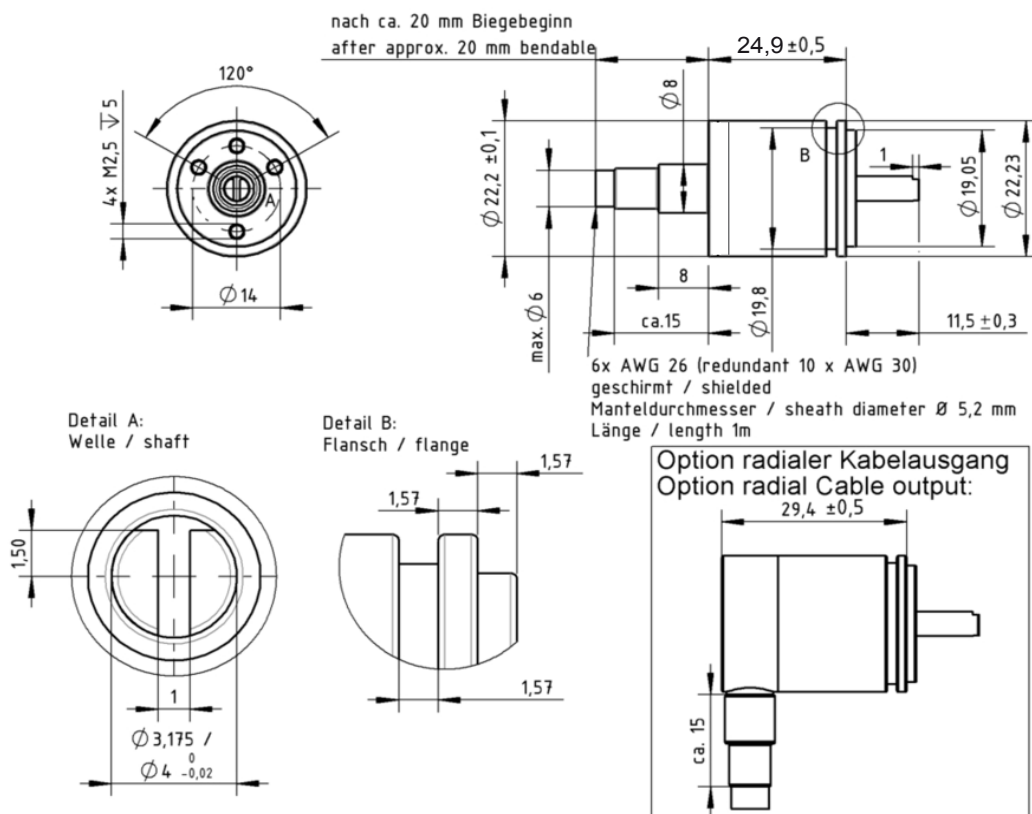


Series MAB22 Hall Effect Absolute Encoder

- Contactless Hall-Technology
- Synchronus Serial Interface (SSI)
- Angle Range 360°
- Resolution 12 Bit SSI
- Supply Voltage: 5V, 15-30V
- 22 mm body diameter
- 2 precision ball bearings



Drawing



Interface	red	black	brown	orange	Yellow	green
SSI	VSUP	GND	CLK +	CLK -	DATA +	DATA -

Dimensions in mm

Option N (zero point alignment) = The minimal output signal is measured at the shaft position according to the drawing

Serie MAB22 Hall Effect Absolute Encoder

Electrical Data	SSI Interface
Electrical Angle	360°
Independent linearity tolerance	± 0,2%
Resolution	4096 Steps (12 Bit)
Update Rate	0,1 ms
Voltage Supply	5 VDC ± 10% 15-30 VDC
Supply Current (no load)	< 20 mA

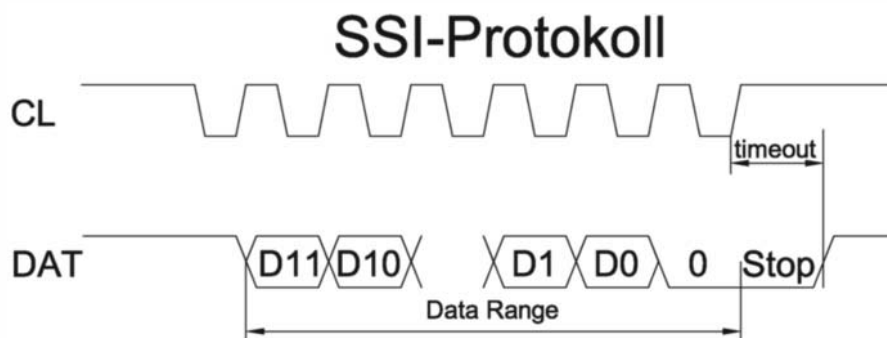
Mechanical Data

Maximum rotational speed	6.000 rpm
--------------------------	-----------

Other Data

Protection class	IP65
Operating temperature	-30 ... +80 °C
Storage temperature	-40 ... +80 °C
Bearing	2 precision ball bearings
Housing material	chromed aluminium
Shaft material	stainless steel
Weight	≈30 g

Timing SSI-Schnittstelle



About the detailed specifications of the output signals please refer to the datasheets and application notes of the Chip-manufacturer IC-Haus: www.ichaus.de Chip: IC-MH

Series MAB22 Hall Effect Absolute Encoder

Order description and Options

Series MAB22	MAB22							
<u>Shaft diameter</u>								
Ø 4 mm	4							
Ø 3,175 mm (1/8") (*)	3,175 (*)							
<u>Resolution / Supply voltage / Output signal</u>								
12 bit / 5 V / SSI				12 5 SSI (*)				
12 bit / 24 V / SSI				12 24 SSI				
increasing signal in clockwise direction					-			
Counterclockwise rising signal					CCW360 (*)			
Other electrical effective angle					C(C)Wxxx (*)			
Zero point alignment (only for SPI) related to the mounting holes according drawing						N (*)		
Other shaft length [mm]							Axx (*)	
<u>Cable output</u>								
Axial - 1 m								-
Axial [m]								CVxx(*)
Radial [m]								CVRxx(*)

(*) = on request available for projects

For options CVxx, CVRxx: maximum allowed cable length is 1 meter.

Errors and specifications subject to change without notice.

6.12.2016