

Data Sheet for sensor accessories

Connector M12 with cable

Series STKM12



Illustration similar

The connectors with cable are female straight or angled connectors with M12 thread.

- 4 pol., 5 pol., 6 pol.
- Straight / angled
- IP67 (optional IP69k)
- Shielded / not shielded
- AWG22 / AWG24

Electrical data

Rated current (40 °C)	4 A
Volume resistivity	≤ 5 mΩ
Insulation resistance	≥ 100 MΩ
EMC compliance*	shielded / not shielded

General characteristics, materials

Connector design	female straight / angled cable connector
Connector locking system	bolted
Termination	moulded on cable
Wire gauge (mm)*	0.25 mm ² / 34 mm ²
Wire gauge (AWG)*	24 / 22
Cable diameter*	5.2 - 5.9 mm
Operational temperature*	-25 °C up to +80°C/+90°C
Protection grade (IEC60529)	IP67, IP69k
Mechanical operation	> 100 mating cycles
Contact material	CuSn (bronze)
Contact plating	Ni/Au
Contact body material *	TPU GF or PUR
Housing material *	PUR
Sheath material*	PVC
Single-lead insulation*	PE/PP
Single-lead structure*	32 x 0.1 mm / 42 x 0.1 mm

*Depends on selected version

Data Sheet for sensor accessories

Connector M12 with cable

Series STKM12

Order Code								
Description	Selection: standard=black/bold , possible <i>options=grey/italic</i>							
Series:	STK							
Thread: M12		M12						
Contact arrangement: 4 poles 5 poles 8 poles			4POL 5POL 8POL					
Degree of protection: IP67 <i>Optional IP69k</i>				IP67 <i>IP69k</i>				
Connector: Straight Angled					G W			
EMC compliance: Shielded Not shielded						GS NS		
Cable length: 1.5 meters 2 meters <i>Optional 5 meters</i>							1,5M 2M <i>5M</i>	
Wire gauge (AWG): AWG24 AWG22								AWG24 AWG22

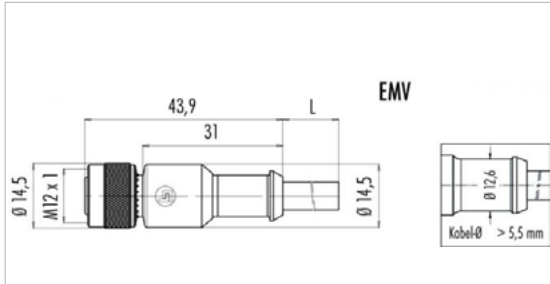
Data Sheet for sensor accessories

Connector M12 with cable

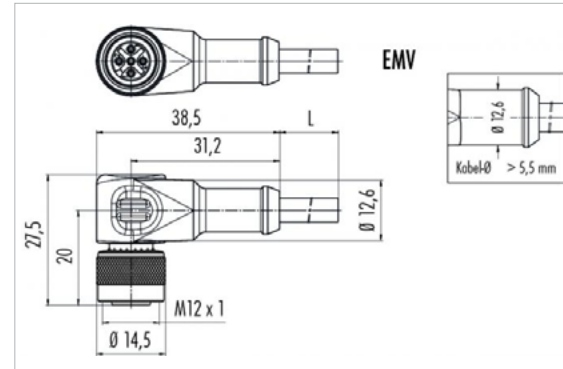
Series STKM12

Drawing

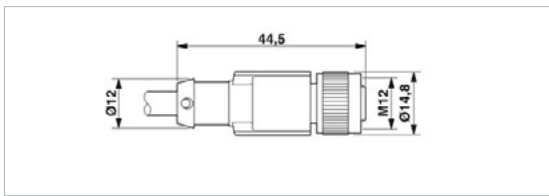
STK M12 4POL IP67 G GS 2M AWG22



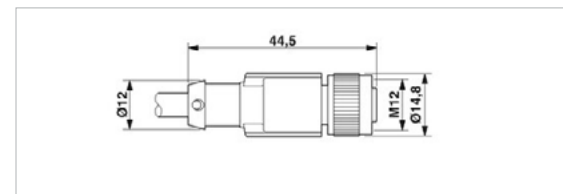
STK M12 4POL IP67 W GS 2M AWG22



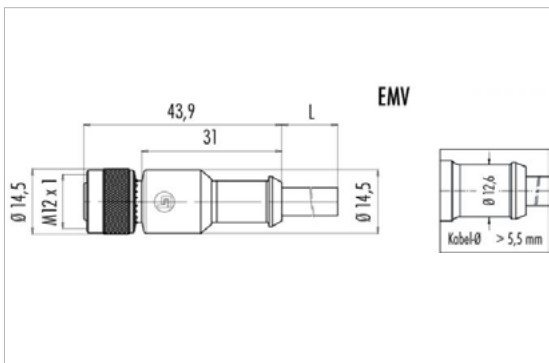
STK M12 8POL IP67 G GS 1,5M AWG24



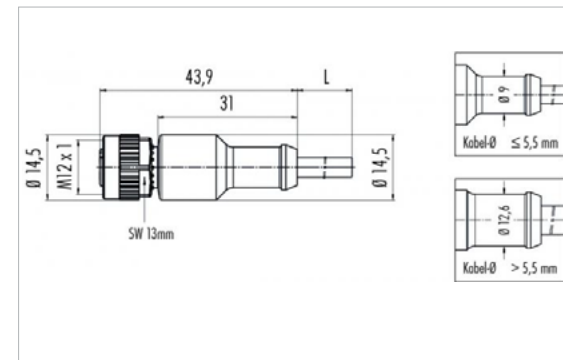
STK M12 4POL IP67 G GS 1,5M AWG22



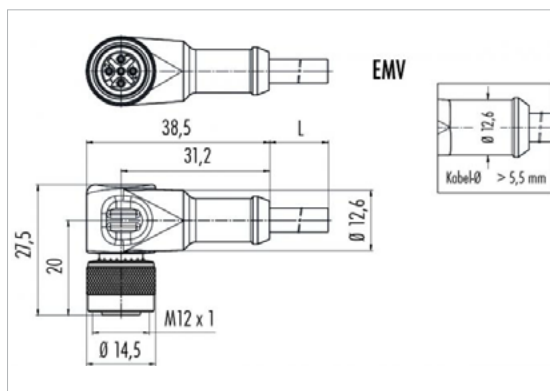
STK M12 5POL IP67 G GS 2M AWG24



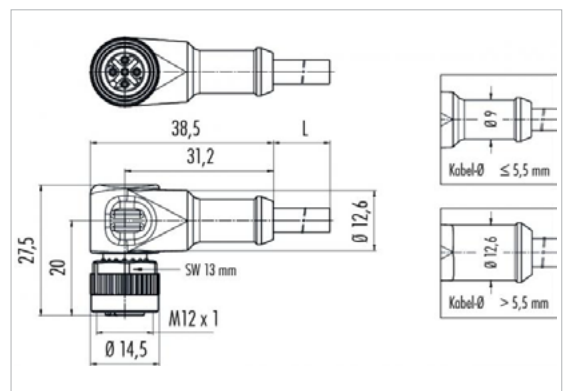
STK M12 5POL IP69k G NS 2M AWG22



STK M12 5POL IP67 W GS 5M AWG24



STK M12 5POL IP69k W NS 2M AWG22



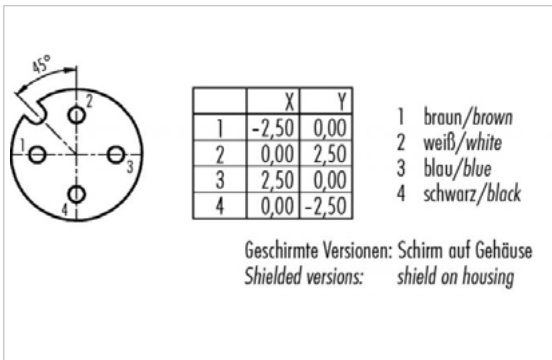
Data Sheet for sensor accessories

Connector M12 with cable

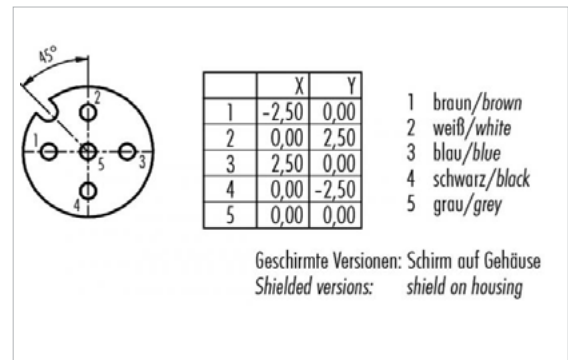
Series STKM12

Drawing

Contact arrangement 4-pole



Contact arrangement 5-pole



Contact arrangement 8-pole

