

Data Sheet for sensor accessories

Connector M9 with cable

Series STKM9



Illustration similar

The connectors with cable are female straight or angled connectors with M9 thread.

- 4 pol., 5 pol., 7 pol.
- Straight / angled
- IP67
- Shielded
- AWG 24 / AWG26

Electrical data	4 pole	5 pole	7 pole
Rated current (40 °C)	3 A		1 A
Rated voltage	125 V		
Rated impulse voltage	1500 V		
Volume resistivity	≤ 3 mΩ		
Insulation resistance	≥ 10 ¹⁰ Ω		
EMC compliance	shielded		

General characteristics, materials	4 pole	5 pole	7 pole
Connector design	female straight / angled cable connector		
Connector locking system	bolted		
Termination	moulded on cable		
Wire gauge (mm)	0.25 mm ²		0.14 mm ²
Wire gauge (AWG)	24		26
Cable diameter	5.4 mm /straight / 5.3 mm (angled)		
Operational temperature	-25 °C up to +70 °C		
Protection grade (IEC60529)	IP67		
Mechanical operation	> 500 mating cycles		
Contact material	CuSn (bronze)		
Contact plating	Au (Gold)		
Contact body material	PPT (UL 94 V-0)		
Housing material	PUR		
Sheath material	PUR		
Single-lead insulation	PVC		
Single-lead structure	14 x 0.15 mm		18 x 0.1 mm

Data Sheet for sensor accessories

Connector M9 with cable

Series STKM9

Order Code							
Description	Selection: standard=black/bold , possible <i>options=grey/italic</i>						
Series:	STK						
Thread: M9		M9					
Contact arrangement: 4 pole 5 pole 7 pole			4POL 5POL 7POL				
Degree of protection: IP67				IP67			
Connector: Straight Angled					G W		
EMC compliance: Shielded						GS	
Cable length: 2 meter							2M
Wire gauge (AWG): AWG 24 (for 4 and 5 pole) AWG 22 (for 7 pole)							AWG24 AWG26

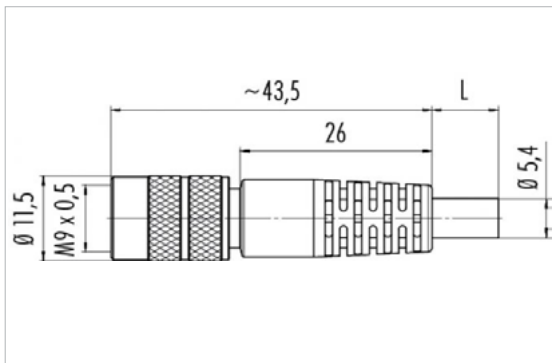
Data Sheet for sensor accessories

Connector M9 with cable

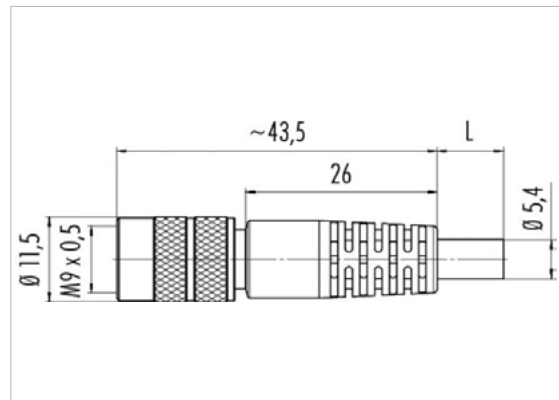
Series STKM9

Drawing

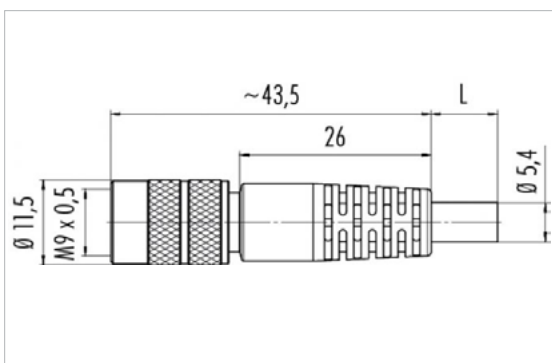
STK M9 4POL IP67 G GS 2M AWG24



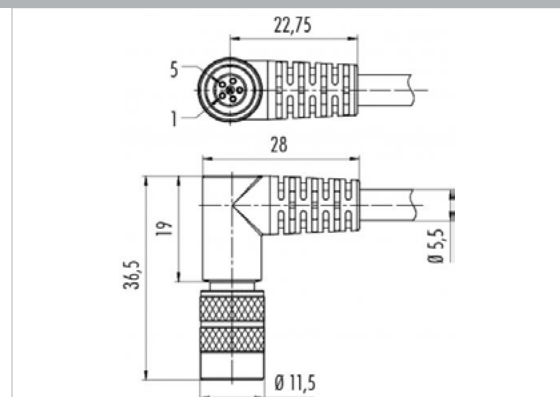
STK M9 5POL IP67 G GS 2M AWG24



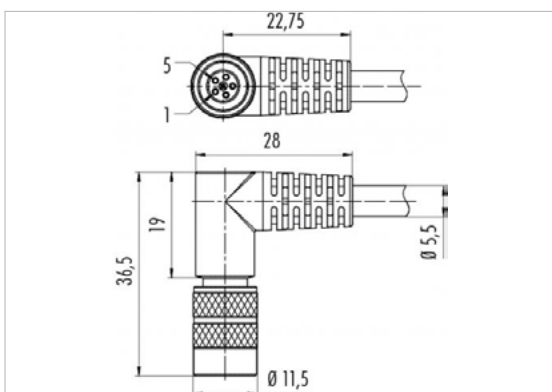
STK M9 7POL IP67 G GS 2M AWG24



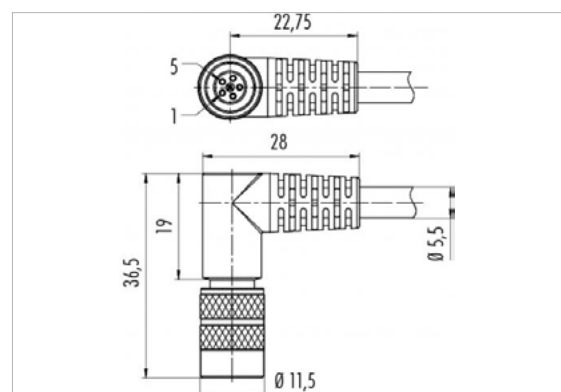
STK M9 4POL IP67 W GS 2M AWG24



STK M9 5POL IP67 W GS 2M AWG24



STK M9 7POL IP67 W GS 2M AWG24



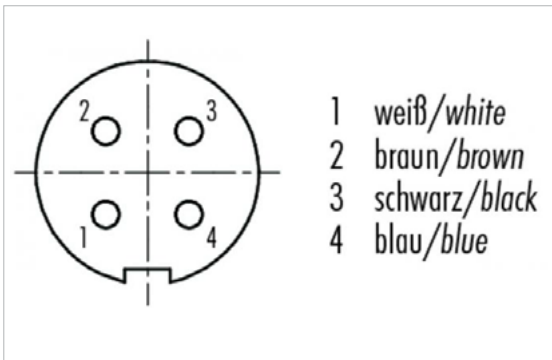
Data Sheet for sensor accessories

Connector M9 with cable

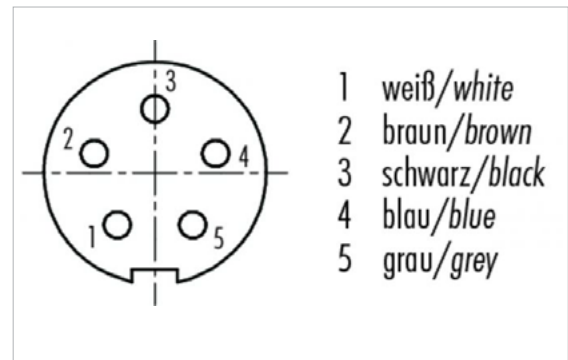
Series STKM9

Drawing

Contact arrangement 4 pole



Contact arrangement 5 pole



Contact arrangement 7 pole

