



- Mounting directly on the cable
- 3 Channels for conversion from 0 to 5 V to 4 to 20 mA
- Stabilized 5 VDC output for sensor supply
- Operating temperature -20°C to +60°C

The voltage-current transformer VIC is a separate electronics box that can be ordered as an extension to MEGATRON sensors. The converter supplies the sensor with voltage and converts the voltage signal (0-5V) of the joystick into a current signal of 4 to 20 mA. The current transformer can provide up to 3 analogue signals as current outputs. It is equipped with a Molex connector type 43650-0501.

### Technical data

Supply voltage	12 to 24 V
Current consumption	Dependent on use, sum of the following 1) basic consumption 40 mA 2) sum of currents per channel (4..20 mA, max. 30 mA) 3) consumption of sensor itself (max. 30 mA)
Output signal	4 to 20 mA (max. 3 channels)
Operating temperature	-20°C to +60°C
Independent linearity	< ±1%
Temperature-dependent drift	< ±0.01%/°C
Insulation resistance	> 1000 MOhm at 500 VDC
Terminating resistor	25 to 50 Ohm (Attention: this load resistance must be implemented at the customer's side!)
Connector (housing)	Molex 43650-0501
Mounting notes	The converter box can be mounted by the customer using two M3 screws (see drawing for details). Tensile loads on the converter connections must be avoided.
Connector cable (not included)	136368, VIC Connector Cable, 5 pin, length 300 mm

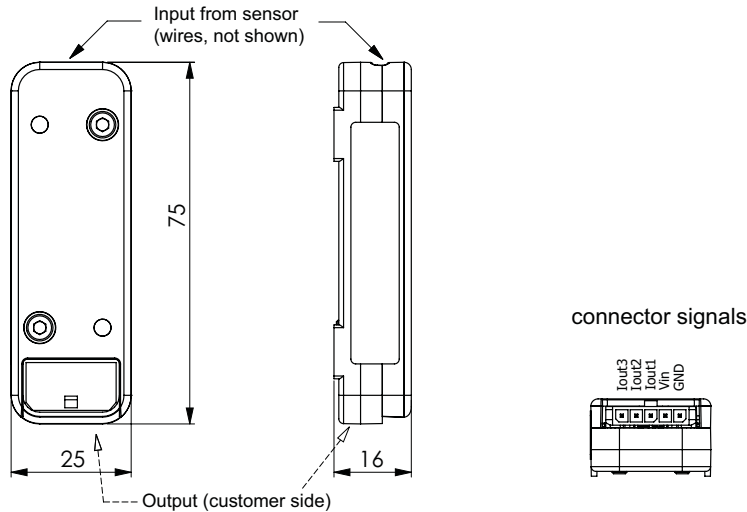
### Immunity

Port	Disturbance type	EMC Specification	Test Level
Housing	ESD	IEC 61000-4-2	4 kV Contact / 8 kV Air
	Conducted Sinus Wave	IEC 61000-4-3	3 V/m 80 MHz - 6 GHz
DC Power	BURST	IEC 61000-4-4	1 kV (5 kHz)
	Conducted Sinus Wave	IEC 61000-4-6	3 V (150 kHz-80 MHz)
I/O	BURST	IEC 61000-4-4	1 kV (5 kHz)
	Conducted Sinus Wave	IEC 61000-4-6	3 V (150 kHz-80 MHz)

### Emission

Port	Disturbance type	EMC Specification	Class
AC/ DC Power	Emission	CISPR 55011	B
Housing	Emission	CISPR 55011	B

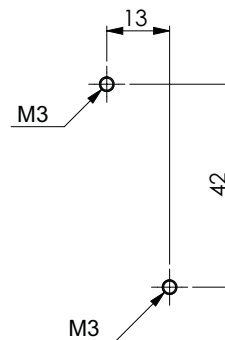
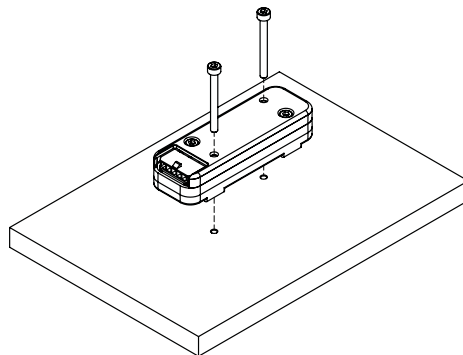
## Technical drawing VIC



If fixation is needed, the VIC can be mounted:

2 screws M3 (length >20 mm)

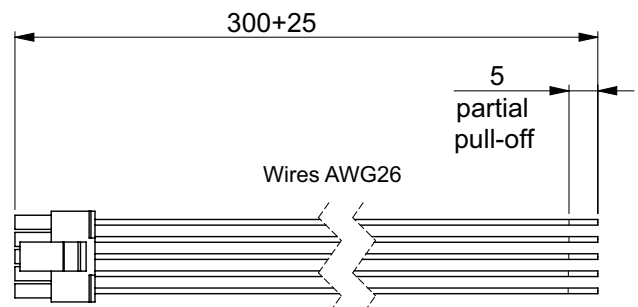
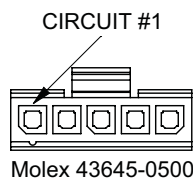
drilling pattern



## Connector cable (not included in delivery of VIC, must be ordered separately)

### Pin assignment

Pin	Colour	Function (VIC)
1	bk	GND
2	rd	VSUP, 12 to 24 V
3	bu	Channel 1, 4 to 20 mA
4	ye	Channel 2, 4 to 20 mA
5	gn	Channel 3, 4 to 20 mA



## Example for application with joystick 829

